

Any non-compliance shall obligate the violator to compensate for damages. In case any patent is issued or a utility model is registered, or in case of any other industrial property rights, all such rights must be reserved for us.
 The copyright to this drawing belongs to us. No duplication or transfer to, providing access to or communicating to any third parties is allowed of its contents or excerpts thereof. This drawing may not be used without our approval for any purpose other than that for which it has been entrusted to the recipient.

BEDIA Motorentechnik GmbH & Co.KG, Altdorf bei Nürnberg

Technical data

Medium water, coolant
Function Maximum - operating current (oc)
Operating voltage 12 / 24 V (-25% / +50%) (9 - 36 VDC)
Current consumption typ. < 8 mA
Output low side switch
 ≤ 1 A over the whole temperature range
 short-circuit and overload protected over the ambient temperature range. At inductive loads freewheeling diode e.g. 1N4007, has to be mounted at the load.
Mounting thread M14x1,5
Function control 2 seconds ± 5%
Fault indication delay 0 seconds ± 5%
Connection connector fine thread M27x1
Housing material CuZn38Pb2
 EN12164; CW608N
 capacitive connected to ground
Probe coating Tefzel® ETFE
Probe protection IP 67 to DIN40050
Weight approx. 90 g
Marking manufacturer; type; manufacturer no.; customer-article no.; SN; year / week; approval
Switch point hysteresis typ. < 3 mm
Medium temperature -40 °C to +125 °C (-40 °F to +257 °F)
Ambient temperature -40 °C to +125 °C (-40 °F to +257 °F)
Storage temperature -50 °C to +125 °C (-58 °F to +257 °F)
Mounting position optional
Reverse polarity protection inbuilt between positive and negative terminal

Caution!!
 Do not connect negative potential to signal terminal of the sensor and positive potential to negative terminal of the sensor.

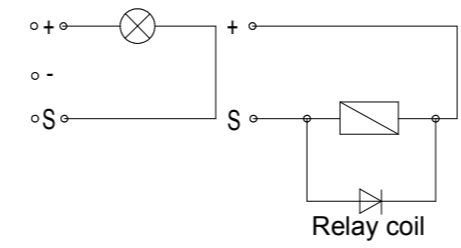
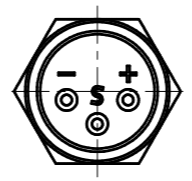
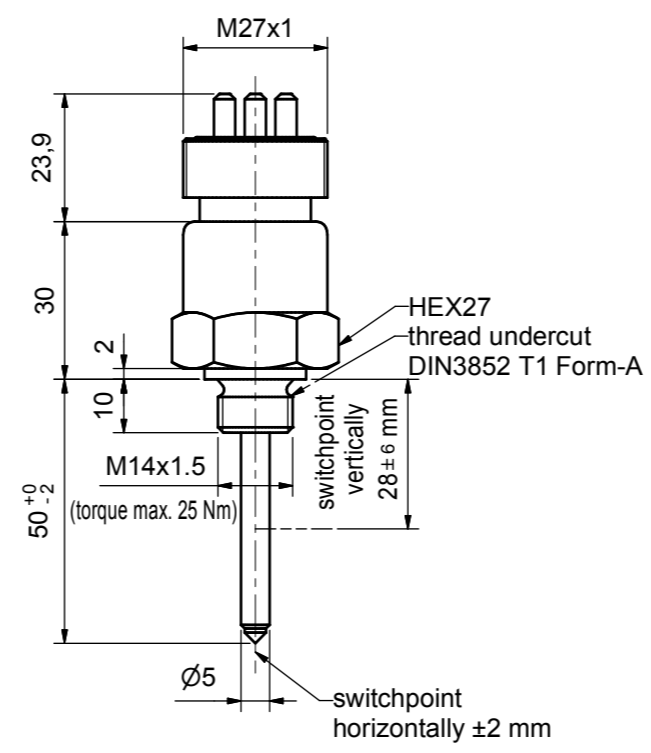
Approval e1
 035459
Customs tariff number 90261029

Environmental simulations

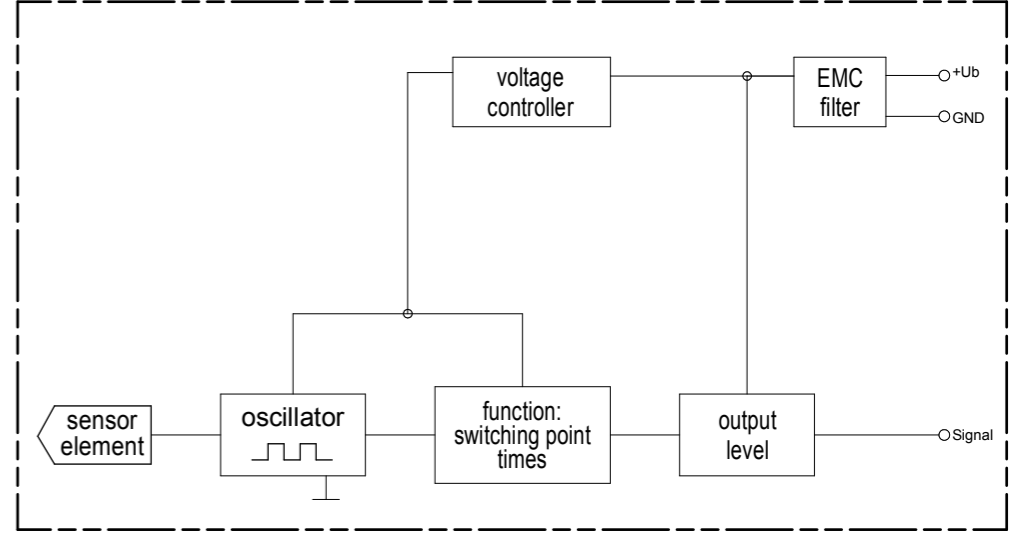
Vibration ISO 16750-3:2007 10 Hz - 2000 Hz 20 g
Free Fall IEC 16750
Mechanical Shock DIN EN 60068-2-27:1995; 100 g / 11ms
Dry Cold DIN EN 60068-2-1:2006; -40 °C / 24 h (-40 °F / 24 h)
Dry Heat DIN EN 60068-2-2:2008; +125 °C / 96 h (+257 °F / 96 h)
Temperature cycling DIN EN 60068-2-14:2000
Damp Heat DIN EN 60068-2-78:2002
Damp Heat, steady state DIN EN 60068-2-30:2006
Salt spray DIN EN 60068-2-52:1996
Pressure resistance 2,5 MPa (25 bar / 362,6 psi) (25°C / 77°F / 1 h)

EMC

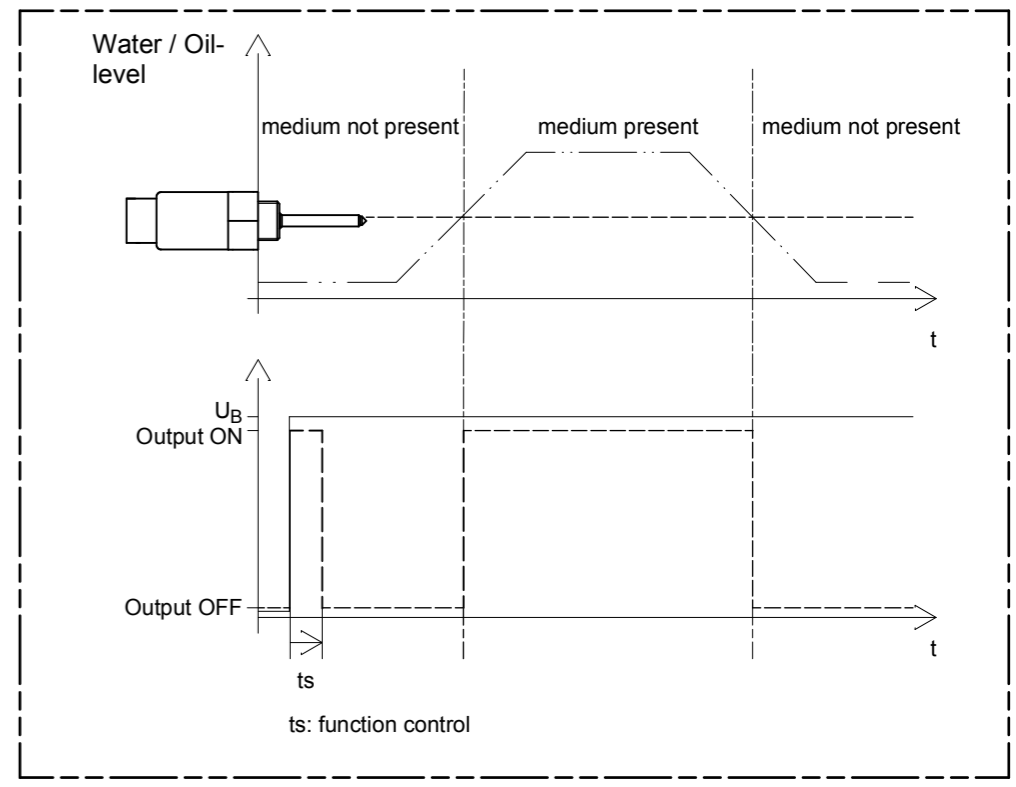
Radiated emission 2004/104/EG 30 MHz - 1 GHz; 1 m
Conducted transient emission ISO 7637-2:2004
Immunity to RF electromagnetic fields ISO 11452-1/-2 1000 MHz - 2000 MHz; 150 V / m (rms)
Immunity to RF electromagnetic fields in the stripline ISO 11452-1/-5 20 MHz - 1000 MHz; 150 V / m (rms)
Transient immunity test on power lines ISO 7637-2/2004 Impulse 1, 2a, 2b, 3a, 3b, 4



Block diagram



Functional diagram for MAXIMUM Probes



field of application	admissible tolerance	surface	scale 1:1	position -	amount -
	ISO2768-mK				
	date	name	description		
	created by 09.03.2010	Moderer	CLS-40 water level sensor low side switch - operating current with connector fine thread M27x1		
	checked by 09.03.2010	Stark			
			drawing number	sheet	
			320484	1/1	
rev.	modification	date	name/checked by	drawing path: I:\CAD\320484\US.dwg	