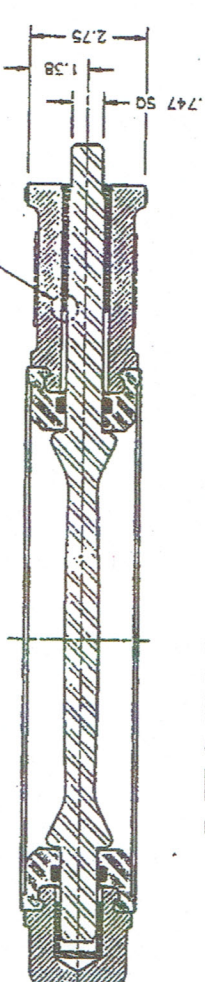


SECTION B-B

SECTION A-A

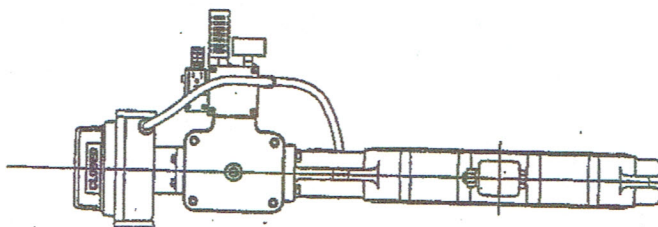
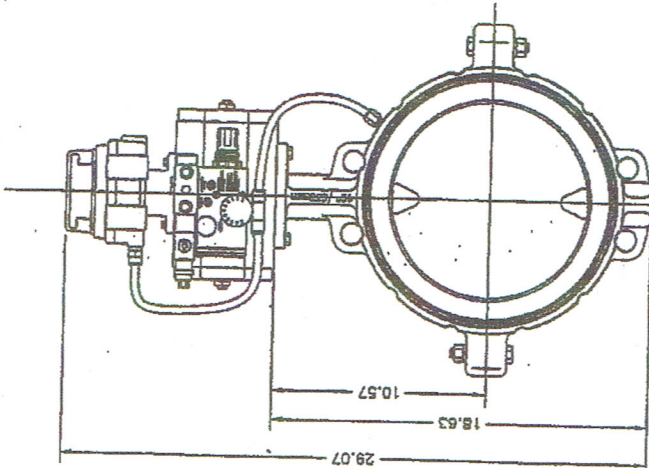
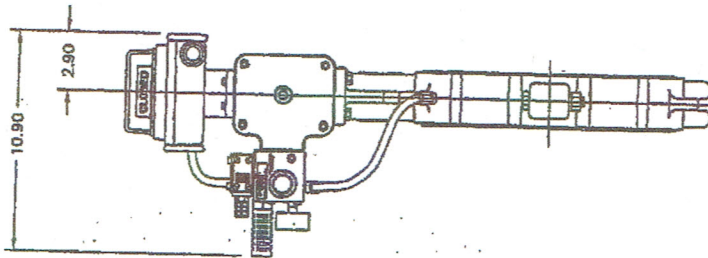
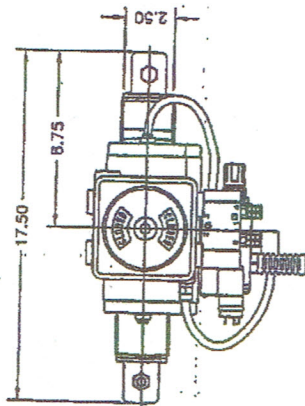


DETAIL C

SCALE: 3/4 = 1
TYP(2)

BY TLR	DATE 07/08/98	SCALE 1/4 = 1	NO.	DATE	BY	REVISION
CEL						
THIS DRAWING IS THE PROPERTY OF POSI-PLATE, INC. IT IS TO BE USED ONLY FOR THE PROJECT AND QUANTITY SPECIFIED HEREON. NO PARTS, MATERIALS, OR INFORMATION CONTAINED HEREIN IS TO BE REPRODUCED OR TRANSMITTED IN ANY FORM OR BY ANY MEANS, ELECTRONIC OR MECHANICAL, INCLUDING PHOTOCOPYING, RECORDING, OR BY ANY INFORMATION STORAGE AND RETRIEVAL SYSTEM, WITHOUT THE WRITTEN PERMISSION OF POSI-PLATE, INC. THIS DRAWING REPLACES:						
10 / 250MM 486 BUTTERFLY VALVE ASSEMBLY						
SHEET NO. 1 OF 1						

posiplate
butterfly valves
SAINT PAUL, MINNESOTA, U.S.A.
DRAWING NO. A-486-68



UNLESS OTHERWISE NOTED
DIMENSIONS ARE IN INCHES

BY: EBM DATE: 03/05/03 SCALE: 1/1
 THIS DRAWING IS THE PROPERTY OF POST-FLATE. IT IS TO BE KEPT IN THE ORIGINAL CONDITION. IT IS TO BE USED ONLY FOR THE PURPOSES SPECIFIED. ANY REPRODUCTION OR TRANSMISSION OF ANY PART OF THIS DRAWING WITHOUT THE WRITTEN PERMISSION OF POST-FLATE IS PROHIBITED. THIS DRAWING SURVIVES.

Revised Mar 05, 2003 - 1:23pm

10" / 250MM 486 BUTTERFLY VALVE
 STANDARD 890 ACTUATOR
 WITH NEMA 4/AX/12 CONTROLS

post-flate®
 butterfly valves

SAINT PAUL, MISSOURI, U.S.A.
 SHEET 1 OF 1
 A-486-369
 REV. C-486-369-1.dwg