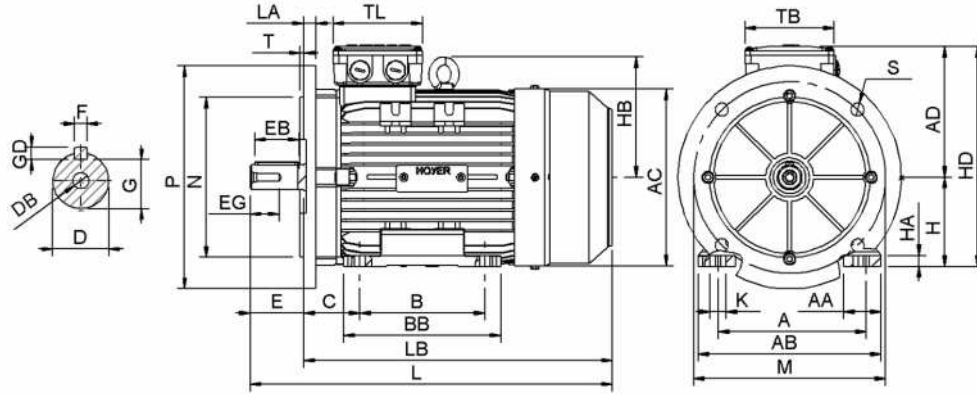


Data Sheet

Itemnumber....: 5541320409



A = 216	AC = 258	BB = 180	DB = M12	EG = 30	GD = 8	HD = 319	LA = 15	M = 265	S = 4-Ø14.5	TL = 120
AA = 50	AD = 187	C = 89	E = 80	F = 10	H = 132	K = 4	LB = 383	N = 230	T = 4	
AB = 256	B = 140	D = 38	EB = 70	G = 33	HA = 16,50	L = 463	LE = 453	P = 300	TB = 120	

Version

Type.....: HMA3 132S-4
 Design.....: Induction motor
 Standard series.....: IEC 60034
 Phase / Voltage range.....: 3~ / Low

Electrical design

Efficiency.....: IE3
 Pole.....: 4
 Power at 50 Hz (kW).....: 5,50
 Hz.....: 50
 Voltage.....: 400VD/690VY
 Winding voltage.....: 400VD/690VY 50 Hz
 Power output (kW).....: 5,50
 Duty.....: S1
 Insulation class.....: F
 Temperature rise.....: B

Motor protection

Thermal protection main.....: PTC 3x 155 dgr
 Thermal protection second.: None
 Space heater.....: None
 Temperature detector.....: No
 SPM.....: No
 IR wire.....: No
 Tropical insulation.....: No

Explosion protection

According to.....: None
 Type of protection.....: None

General

Direction of rotation.....: CW
 Painting.....: RAL 9005 Gloss 10
 Nameplate.....: Multivoltage
 Special packing.....: No
 Special requirements.....: No

Mechanical design

Frame size.....: 132
 Mounting.....: B35
 Rain cap.....: No
 Protection class.....: IP55
 Cooling method.....: IC411/TEFC
 External grounding.....: Yes
 Drain hole.....: Yes
 Frame material.....: Aluminium
 Material approval.....: None
 Shaft.....: IEC standard
 Key.....: Closed key
 Balancing.....: Half key balancing
 Vibration class.....: Grade-A
 Weight (kg).....: 50,0

Environment condition

Ambient temp. min. (°C)..: -20
 Ambient temp. max. (°C)..: 40
 Altitude (mtr up to).....: 1000

Bearing

DE Bearing.....: 6308-ZZ/C3
 NDE Bearing.....: 6308-ZZ/C3
 Fixed bearing.....: DE

Terminal box

Tbox position.....: Top
 Cable entry direction.....: Right (from DE)
 Cable entry
 Main.....: 2 x M25x1,5
 Plastic blindcaps
 Accessory.....: 1 x M20x1,5
 Plastic blindcap
 Connection type.....: Delta (D)
 Terminal board thread.....: 6-M5

Test values

Rotor inertia (kgm²).....: 0,034
 Noise level (dB(A)).....: 61
 No load current (A).....: 5,10
 Winding resist. (ohm).....: 1,96
 Starting time (sec.).....: 0,06
 Temp. rise winding (K).....: 49
 Temp. rise surface (K).....: 42

Rated power (kW)	5,50	5,35	6,60	6,40
Frequency (Hz)	50	50	60	60
Voltage (V)	400 690	380 660	480 830	440
Connection	D Y	D Y	D Y	D
Full load current (A)	10,8 6,25	11,2 6,45	10,8 6,25	11,2
Speed (rpm)	1460	1460	1750	1750
Power factor cos(phi)	0,82	0,83	0,82	0,84
Efficiency, 100/75/50 (%)	89,7/90,0/89,0	89,7/90,0/89,0	89,7/90,0/89,0	89,0/89,3/88,2
Ist/In	8,8	7,7	8,8	8,1
Full load torque (Nm)	36,0	35,0	36,0	35,0
Tst/Tn	2,8	2,6	2,8	2,4
Tmax /Tn	3	2,8	3	2,6
Duty	S1	S1	S1	S1
Ambient temp. (°C)	40	45	40	45