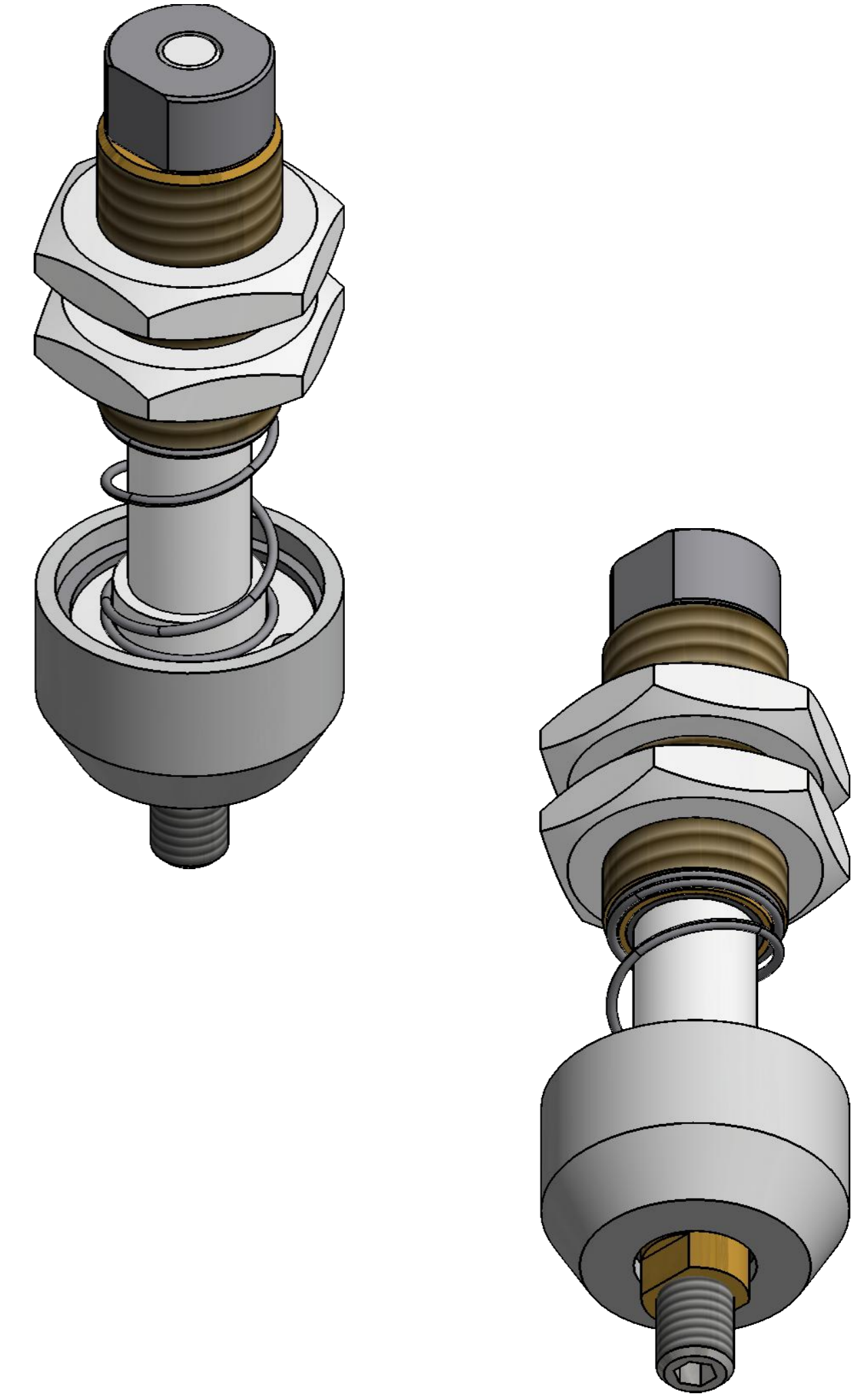
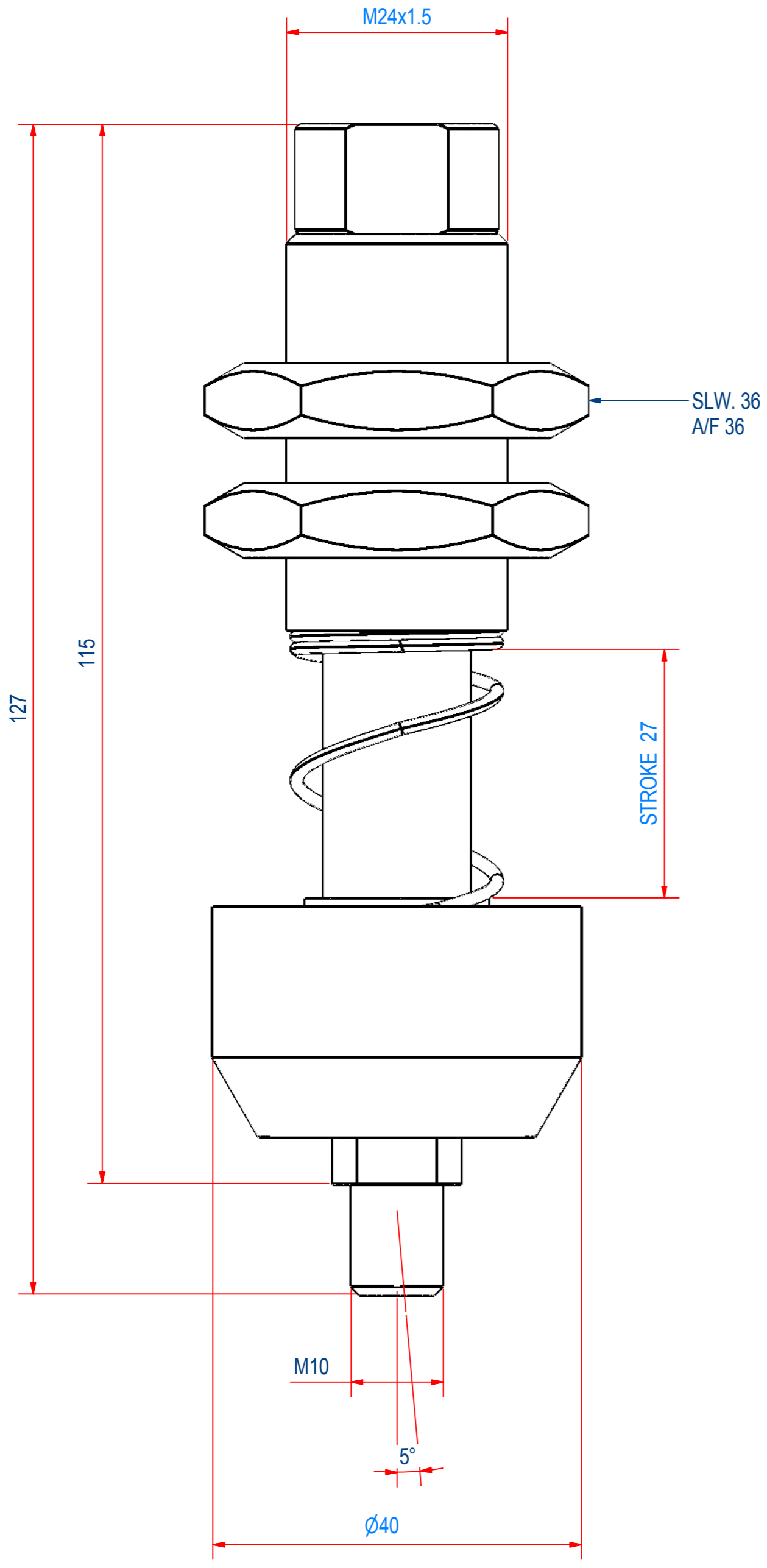


REV	DATE	BY	DESCRIPTION
-	2-7-2013	PB	NEW VAULT, NEW REVISION. NOTHING CHANGED. OLD REV WAS C
A	25-8-2014	PB	SET SCREW CHANGED
B	26-6-2017	PB	SEVERAL CHANGES. SEE M50120



ITEM	QTY	PART NUMBER	DESCRIPTION	Dimensions
1	1	M50120	ASSEMBLY SPINDLE TPGC990001	
RAW MAT.	Quantity	Material Number	Material Description	Length (mm) Width (mm)
⊕	Sheet: A2	Extra info:	General tolerance: ISO 2768 - mK	
Drawn: PB	Weight (kg): 0,5		Drawn according: ISO268; ISO1101; ISO2553	
Date: 10-7-2003			Status: Standard	
Spare part: False			Customer reference number:	
Quick search: TPGC99 M10			Document number: E0077944	Doc.Rev: B
Description: HGA-PL-S-M10-M24-RO-FL			Part number: TPGC990001	Rev: B