

NOTICE

THIS DRAWING IS THE PROPERTY OF QUALITROL COMPANY LLC AND IS LOANED ONLY ON THE CONDITION THAT IT WILL BE USED TO FACILITATE THE PURPOSE FOR WHICH INTENDED AND NOT BE REPRODUCED, COPIED OR OTHERWISE DISPOSED OF, AND IS NOT TO BE USED IN WHOLE OR PART FOR FURNISHING INFORMATION RELATIVE TO THE MAKING OF DRAWINGS, PARTS APPARATUS OR PARTS THEREOF, EXCEPT BY WRITTEN ORDER FROM QUALITROL COMPANY LLC.

MODEL NO. AS1000-00224754

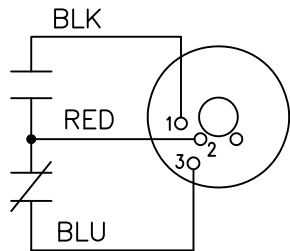
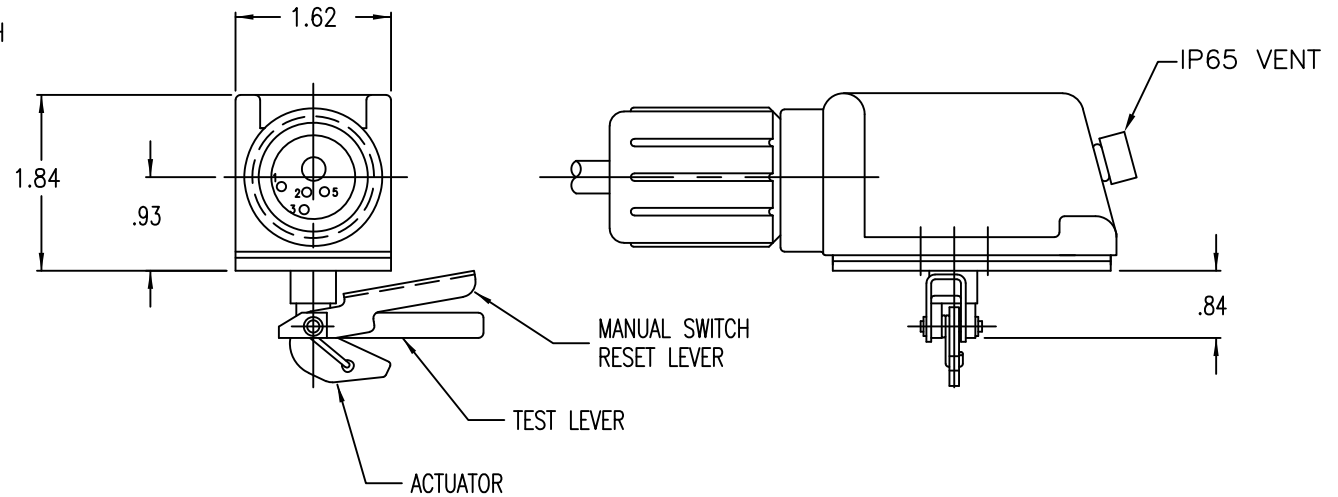
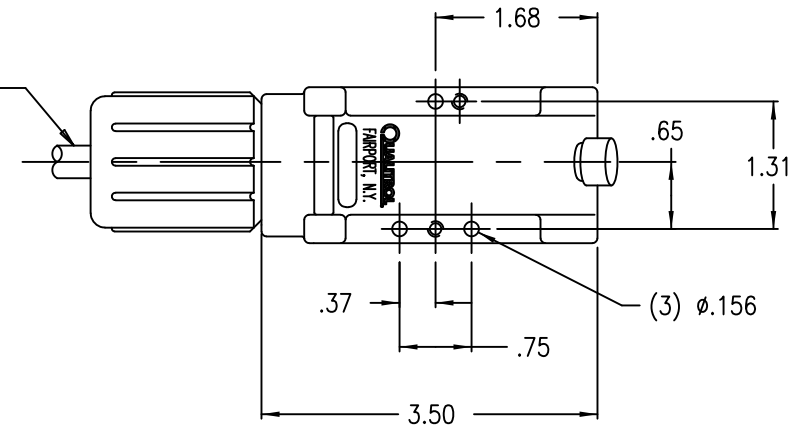
NOTES:

1. SWITCH RATING:
 ENEC/CQC: 11(3) A, 125/250 VAC
 UL/cUL: 11(3) A, 125/250 VAC
 UL FILE # E12252
2. UNIT PASSES HI-POT TEST;
 2000 VOLTS BETWEEN CABLE TERMINATION AND GROUND FOR 60 SECONDS.

SWITCH OPERATION:

- WHEN ALARM SWITCH IS MOUNTED ON PRESSURE RELIEF DEVICE, RED AND BLUE ARE CLOSED.
- SHOULD THE MECHANICAL RELIEF DEVICE BE CALLED UPON TO OPERATE; RED AND BLUE OPEN.
- RED AND BLUE WILL REMAIN OPEN UNTIL SWITCH RESET LEVER IS MANUALLY DEPRESSED.

DETACHABLE CONNECTOR ASSY,
 #16 GA, 3 COND. TYPE SOW
 CABLE, 236" [6.0M] LG.



WIRING DIAGRAM-3A01
 (SHOWN READY TO OPERATE)

LET	DATE	ALTERATION	C.N.
-	8-29-19	DRAWING CREATED	-

QUALITROL

DIMENSIONS AND TOLERANCES IN ACCORDANCE WITH ASME Y14.5M-1994

PH. (585) 586-1515
 FAX (585) 377-0220

1385 FAIRPORT ROAD
 FAIRPORT, NY 14450

FORM 0-473 REV. F 04/06/06

TITLE:	ALARM SWITCH
MODEL NO.	AS1000-00224754