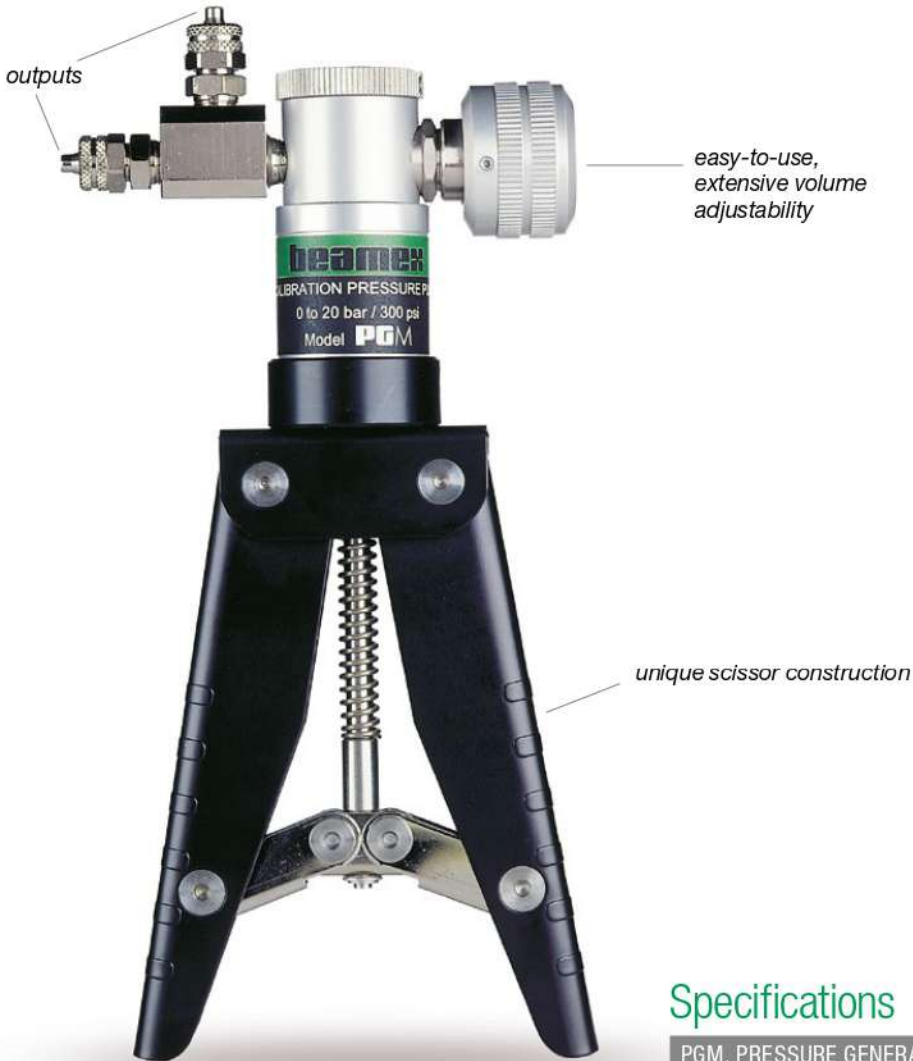


# PGM

PRESSURE GENERATOR MEDIUM 0...20 bar / 0...300 psi



**The PGM** is a hand-operated pressure calibration pump that uses air as its pressure medium. The extremely accurate volume control provides the excellent fine adjustment of pressure. The pump's unique and sturdy construction makes the PGM the ultimate field calibration pump.

## Specifications

PGM, PRESSURE GENERATOR MEDIUM	
Output pressure:	0 ... 20 bar / 0 ... 300 psi
Pressure media:	Air
Outlet connector:	2 x 1/8" NPT female
Dimensions:	223 mm x 96 mm x 38 mm 8.78" x 3.78" x 1.5"
Weight:	400 g / 0.9 lb
Standard delivery:	<ul style="list-style-type: none"><li>• Service seal kit</li><li>• Opening tool</li><li>• Output adapters:<ul style="list-style-type: none"><li>– G 1/8" male 60° int. cone</li><li>– 2 x connector for 1/8" ID hose</li><li>– 2 x connector for 1/8" ID / 1/4" OD hose with nut</li><li>– plug</li></ul></li></ul>
Optional accessories:	<ul style="list-style-type: none"><li>• Carrying case</li><li>• Hose 1.5 m</li><li>• T-tubing set with connectors</li></ul>