

# M7



## MAGNETIC DRIVE PUMPS

### Highlights

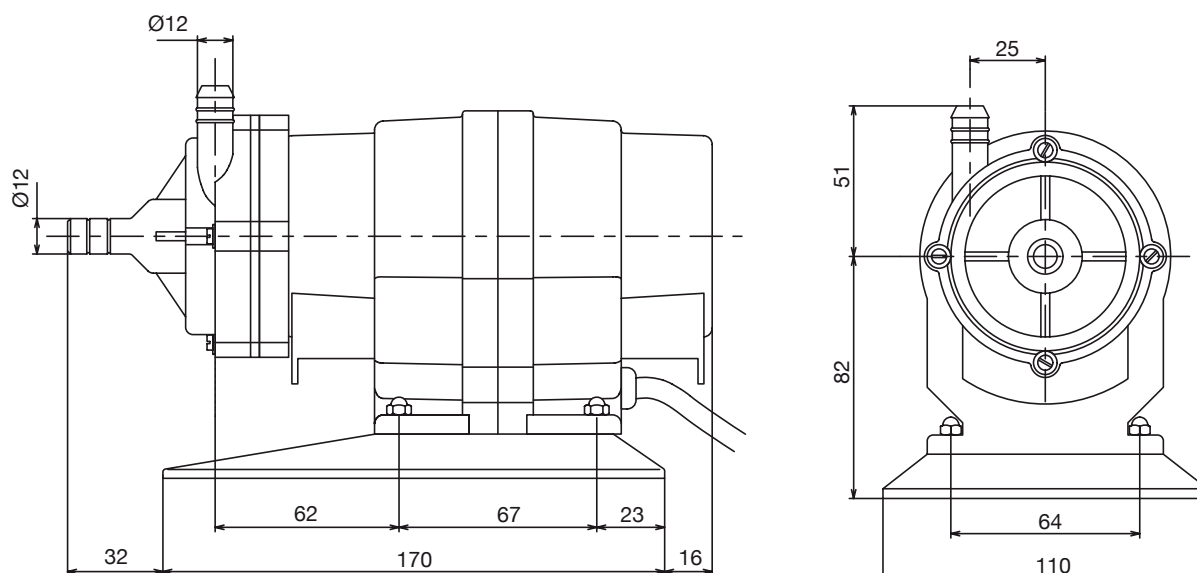
- Polypropylene manufacturing : great resistance to acids and alkalines
- Open centrifugal impeller
- Magnetic drive : no mechanical seals, no risks of leaks
- Connection : grooved nozzles



### Technical features

<b>Drive</b>		Magnetic
<b>Shaft / Sleeve</b>		Ceramique / rulon
<b>Electrical motor</b>		Integrated
<b>Power supply - V</b>		230V 1ph
<b>Frequency - Hz</b>		50 or 60
<b>Rotation speed - rpm</b>		3 000
<b>Motor power - kW</b>		0.01
<b>Max output - m³/h</b>		0,7
<b>Max head - mWC</b>		4
<b>Max temperature - °C</b>	PP	80°C
	PVDF	Not available
<b>Density</b>		<1,2
<b>Gaskets</b>	PP	EPDM - FPM
	PVDF	Not available

### Dimensions



## Flowrate charts

TOTAL HEAD (mWC)

