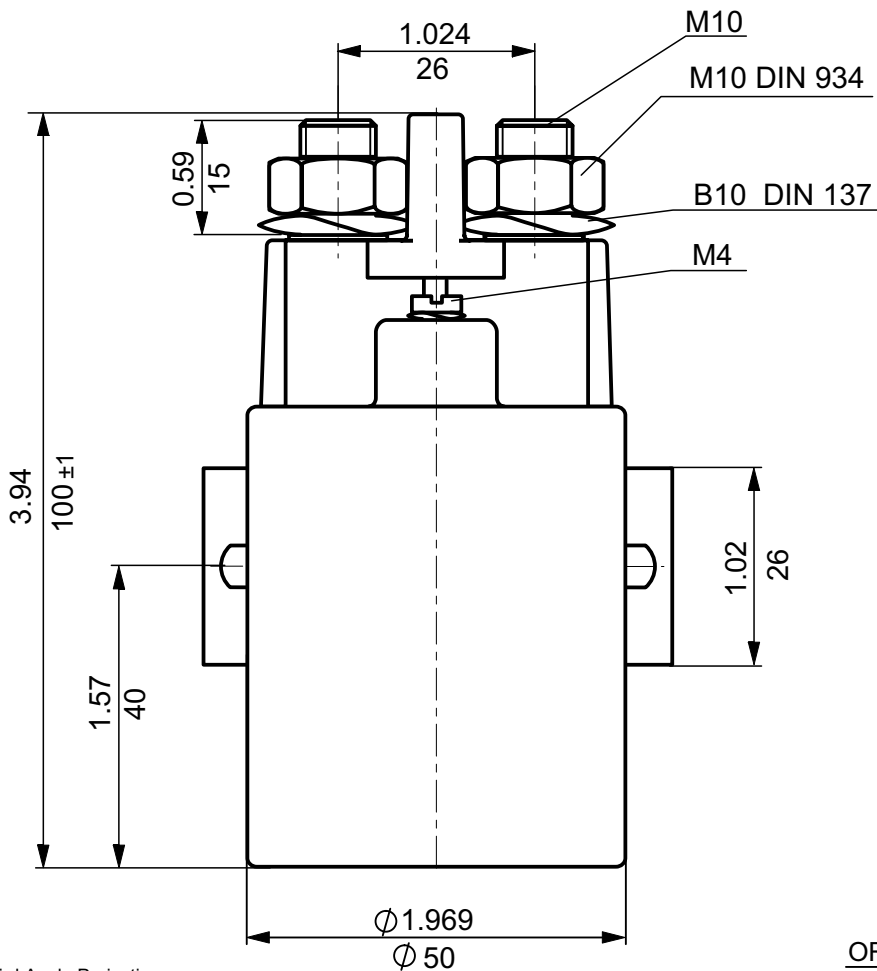
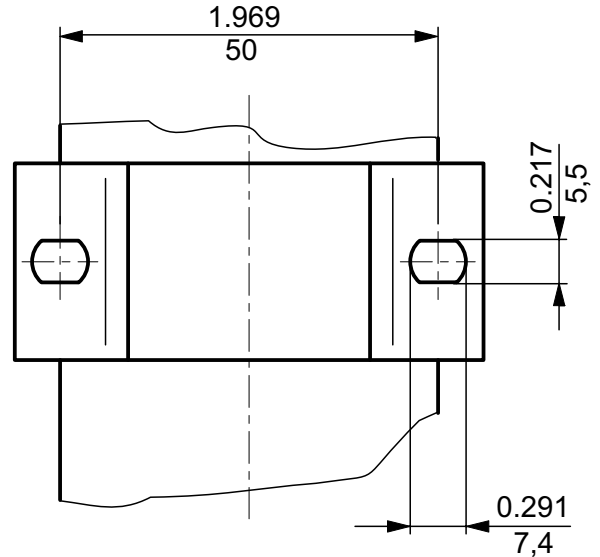
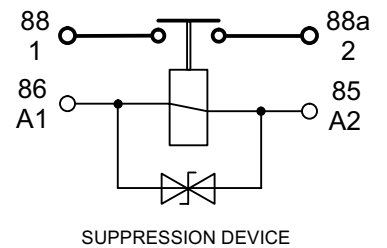


MOUNTING DIMENSION



CIRCUIT



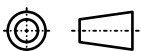
DIMENSIONAL TOLERANCES

- 3 PLACE DECIMAL ± 0.010
- 2 PLACE DECIMAL ± 0.03
- ANGULAR ± 0°30'

ORDER-NO.

- 29.311.01 WITHOUT SUPPRESSION
- 29.311.11 WITH SUPPRESSION

Third Angle Projection



1996	Date	Name	Inch mm	Scale 1:1
Design	01.07.	Bo		
Check	01.07.	Grupp	General Tolerances	
Appro			DIN 7168 m ISO 2768	



Drawing No. ≙ Order No.

29.311.01
29.311.11

TÄ-Nr.

300AMP. POWER RELAY (12VDC) ENVIRONMENTALLY SEALED

Series **29**

TECHNICAL DATA

ENVIRONMENTAL CHARACTERISTICS

TEMPERATUR RANGE -40° C TO +85° C (-40° F TO +185° F)
 MAX. ALTITUDE RATING 50 000 FT
 SEAL IP67 (6 FEET / 0,2 BAR - 1MIN.) I.A.W. IEC 529
 IP6K9K (STEAM PRESSURE) DIN 40050 PART 9 AND I.A.W. IEC 529
 SHOCK G-LEVEL 6 G / 11 MSEC
 VIBRATION 4 G / 50 - 2000 HZ

ELECTRICAL CHARACTERISTICS

MIN. INSULATION RESISTANCE; INITIAL 100 MEGOHMS
 AFTER LIFE OR ENVIRONMENTAL 50 MEGOHMS
 DIELECTRIC WITHSTANDING VOLTAGE SEA-LEVEL 1 MINUTE 1 050 VOLTS
 ALTITUDE 1 MINUTE 500 VOLTS
 MAX. CONTACT DROP INITIAL 0.15 VOLTS
 AFTER LIFE TEST 0.175 VOLTS
 OVERLOAD 2400 AMP FOR 1 SEC., 600 AMP FOR 20 SEC.
 DUTY RATING 300 AMP CONTINUOUS

RATED CONTACT LOAD (12 VDC)

RESISTIVE LOAD 200 000 CYCLES WITH 300 AMP
 INDUCTIVE LOAD 40 000 CYCLES WITH 75 AMP
 MOTOR LOAD 200 000 CYCLES WITH 300 AMP
 ENDURANCE 2 000 000 CYCLES

OPERATING CHARACTERISTICS

COIL DATA

VOLTAGE RANGE 9 - 16 VDC
 NOMINAL VOLTAGE 12 VDC
 PICK UP VOLTAGE MAX. 9 VDC FULL TEMP. RANGE
 DROP OUT VOLTAGE MAX. ≤ 2 VDC FULL TEMP. RANGE
 COIL RESISTANCE 12 OHMS ± 10%
 COIL CURRENT APPROX. 1 AMP
 COIL POWER APPROX. 10 WATT

TIME-MILLISECONDS-MAX.

OPERATE 40
 BOUNCE 5
 RELEASE 20

WEIGHT 0.82 kg = 1.81 POUND MAX.

WIRE SECTION (AT NOMINAL LOAD) MIN. 95 mm² / 0.147 sq. in. / AWG 0000

MOUNTING POSITION OPTIONAL

SUBJECT TO CHANGE

1996	Date	Name	↔ Inch mm	Scale	 ELEKTROTECHNIK D-72218 Wildberg	Drawing No. ≙ Order No.	
Design	01.07.	Bo					29.311.01
Check	01.07.	Grupp	General Tolerances				29.311.11
Appro			DIN 7168 m ISO 2768				