





L filters catalogue



-  *Presentation of the range*
-  *Filtering elements*
-  *Curves*
-  *General dimensions*

Application : Filtering average volumes (500 to 3,000 liters) of galvanoplasty electrolytes (Nickel, Zinc, Copper, Chrome ...)
 . Filtering chemicals on process or before packaging
 . Pharmaceutical industry
 . Fish farming

Made of injected plastic (Polypropylene or PVDF)

High resistance to acids and bases
 Max. fluid temperature = 80°C (PP), 110°C (PVDF)

Filtration on L-TECH pleated cartridges
 Washable cartridges with a very large filtering area (up to 10 m²), low operating costs, filter gauge from 50 to 2 micron

Choice of optional, interchangeable filtration systems
 Filtration on paper with 20 to 96 plates dia. 195 mm
 Filtration on 7 wound or spun-bonded cartridges of 10" / 20" / 30"
 Filter gauge from 50 to 1 micron

Choice of magnetic or mechanical drive pump
 Flow rate from 1.5 to 18 m³/h

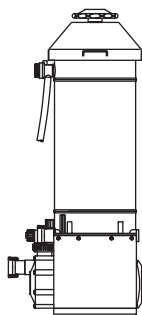
Modular design
 Very high capacity double chamber version

Version with dissolving tank
 Allows the addition of additives or the use of filtration agents and activated carbon powder

Option of activated carbon canister interchangeable with L-TECH cartridges
 Treatment with activated carbon granulates



Presentation of the range

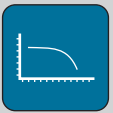
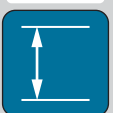


L20 - L30 - L50 filters

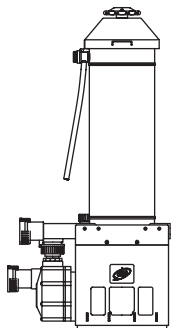
Technical features

- Pump models *M15-M50-M70*
- Max. output *from 1.5 m³/h to 5 m³/h*
- Filtering element *from 20 to 64 thin plates (0.45 to 1.44 m²)*
7 spun-bonded cartridges 10" or 20"
1 L TECH cartridge 10" or 20" (2.5 to 5 m²)
1 activated carbon canister (5.8 to 11.6 l)

DIMENSIONS



CURVES

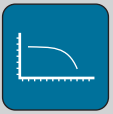
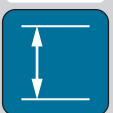


L31 - L51 - L81 filters

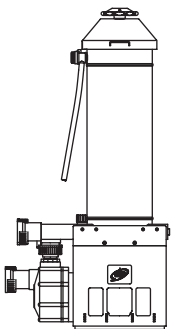
Technical features

- Pump models *M100-M140-M200-M250*
- Max. output *from 9 m³/h to 18 m³/h*
- Filtering element *from 32 to 96 thin plates (0.72 to 2.16 m²)*
7 spun-bonded cartridges 10", 20" or 30"
1 L TECH cartridge 10" or 20" (2.5 to 5 m²)
1 activated carbon canister (5.8 to 17.3 l)

DIMENSIONS



CURVES

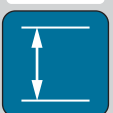


L31 - L41 PVDF filters

Technical features

- Pump models *M100-M140*
- Max. output *from 9 m³/h to 11 m³/h*
- Filtering element *from 32 to 42 thin plates (0.72 to 1.05 m²)*
7 glass fiber cartridges 10" (L31)

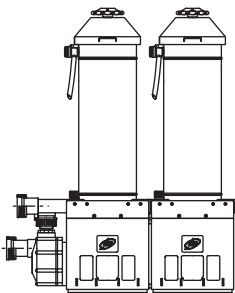
DIMENSIONS



CURVES



Presentation of the range

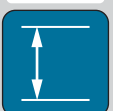


L52 - L82 filters

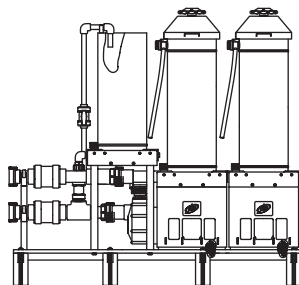
Technical features

- Pump model *M140 - M200 - M250*
- Max. output *from 11 m³/h to 18 m³/h*
- Filtering element *2 x 64 or 96 thin plates (2 x 1.44 or 2 x 2.16 m²)
2 x 7 spun-bonded cartridges 20" or 30"
2 LTECH cartridges 20" (2 x 5 m²)
2 activated carbon canisters (2 x 11.6 or 17.3 l)*

DIMENSIONS



CURVES

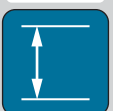


L58 - L88 filters

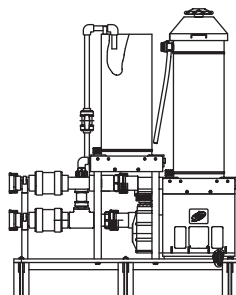
Technical features

- Pump model *M140 - M200 - M250*
- Max. output *from 11 m³/h to 18 m³/h*
- Filtering element *2 x 64 or 96 thin plates (2 x 1.44 or 2 x 2.16 m²)
2 x 7 spun-bonded cartridges 20" or 30"
2 LTECH cartridges 20" (2 x 5 m²)
2 active carbon canisters (2 x 11.6 or 17.3 l)
16 liters pre-coat tank*

DIMENSIONS



CURVES

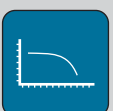
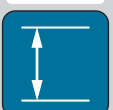


L59 - L89 filters

Technical features

- Pump model *M140 - M200 - M250*
- Max. output *from 11 m³/h to 18 m³/h*
- Filtering element *from 64 to 96 thin plates (1.44 to 2.16 m²)
16 liters pre-coat tank*

DIMENSIONS



CURVES



Filtering elements



Washable cartridge with a very large filtering area (5 m^2), low operating costs, filter gauge from 50 to 2 micron

Activated carbon canister interchangeable with the L-TECH cartridge



Filtration on 7 wound or spun-bonded cartridges of 10" / 20" / 30"
Filter gauge from 50 to 1 micron

Filtration on paper with 20 to 96 plates dia.195 mm
 $0.45 \text{ à } 2.16 \text{ m}^2$

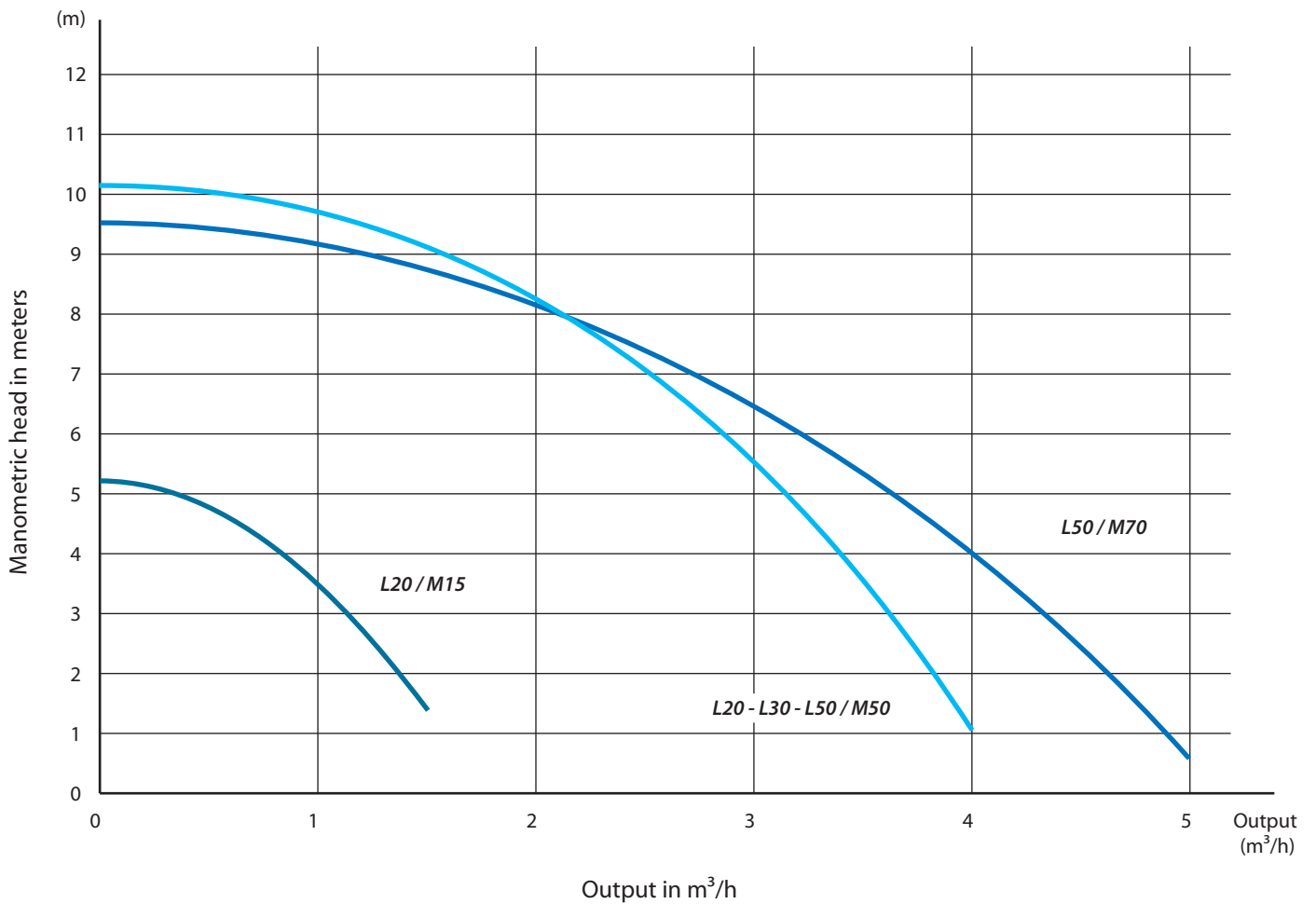




Curves

L20 to L50 filters

- Manometric head in meters
- Output in m³/h

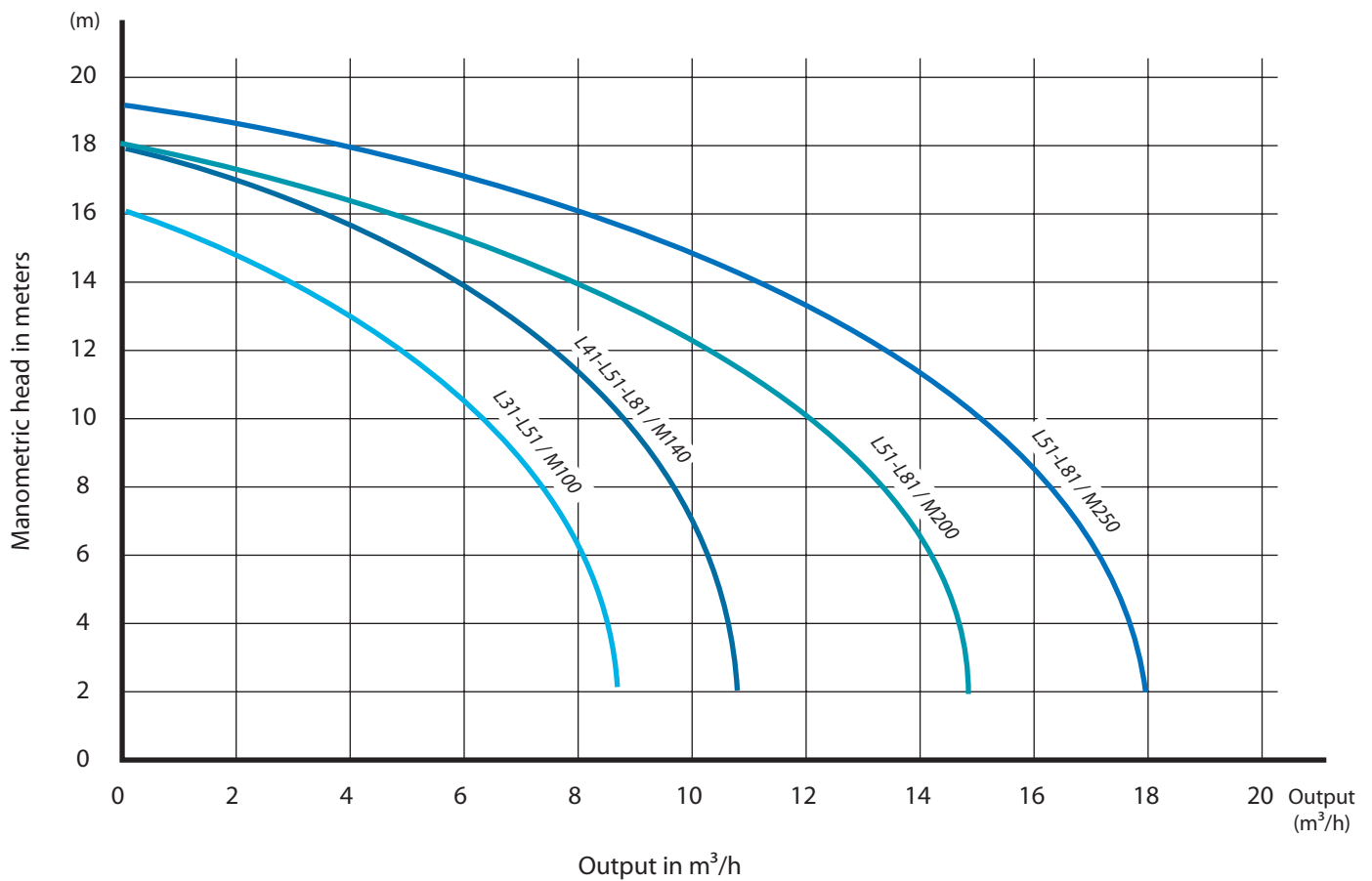




Curves

L31 to L81 filters

- Manometric head in meters
- Output in m³/h

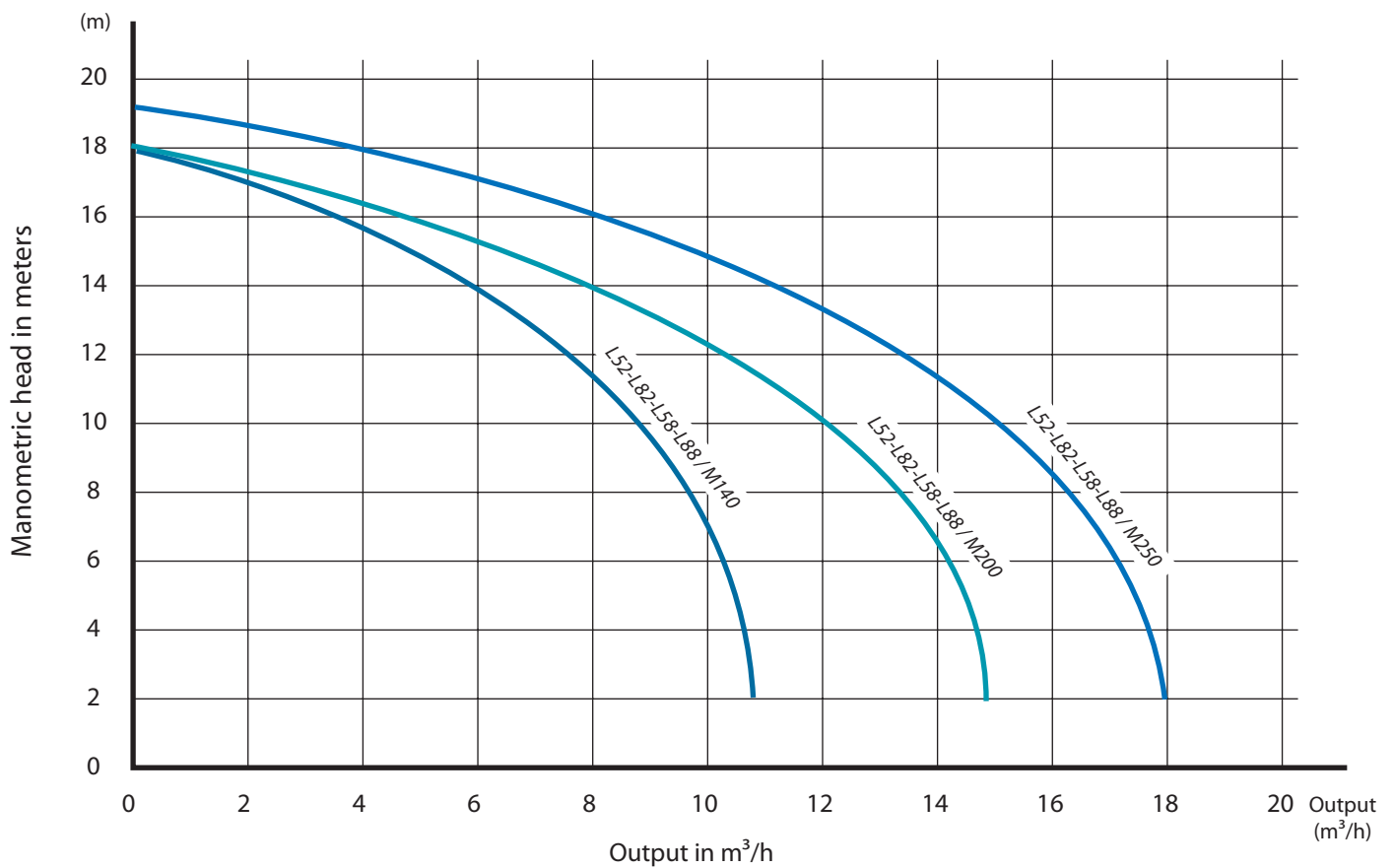




Curves

L52 -L58-L82-L88 filters

- Manometric head in meters
- Output in m³/h

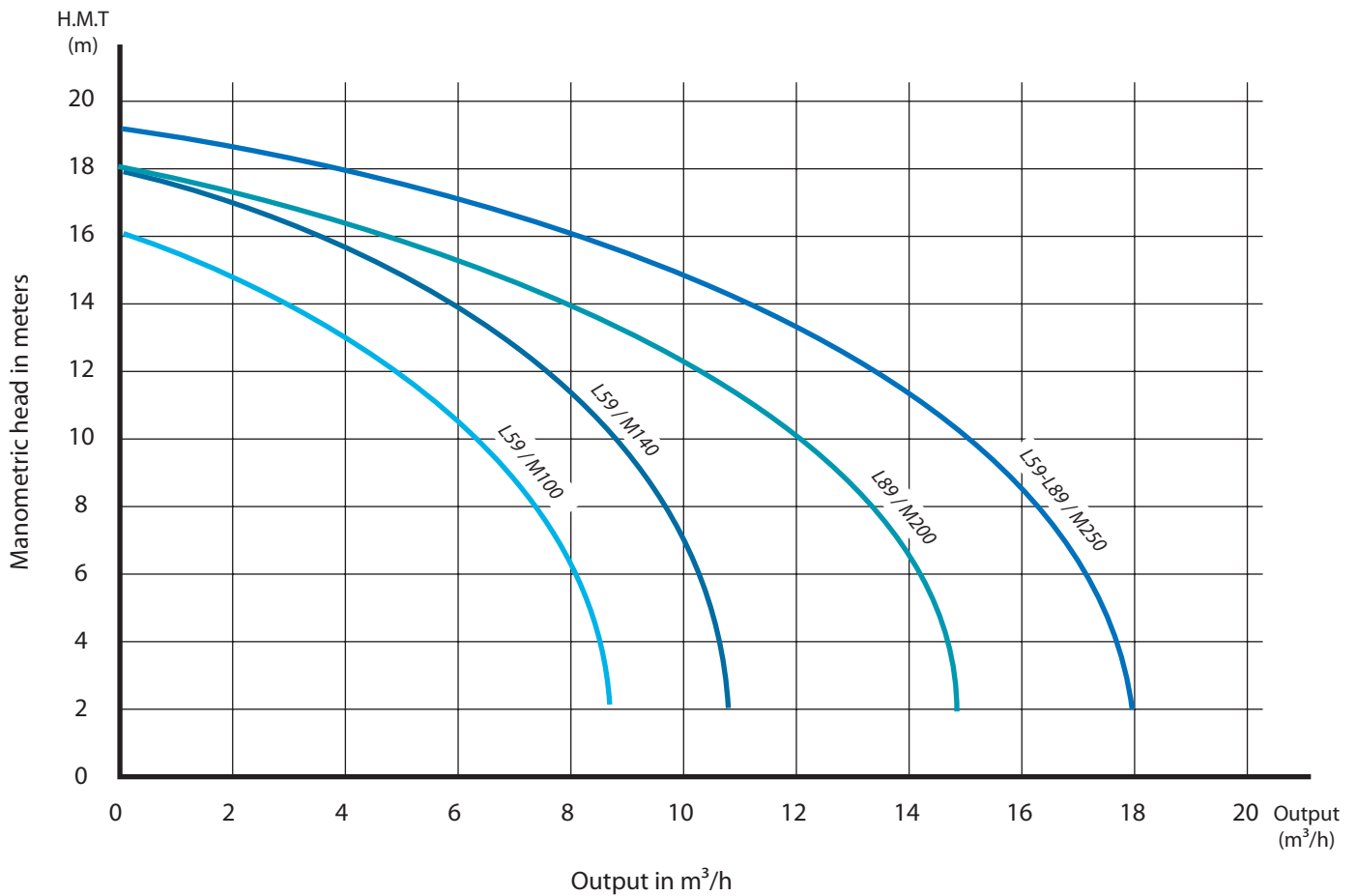




Curves

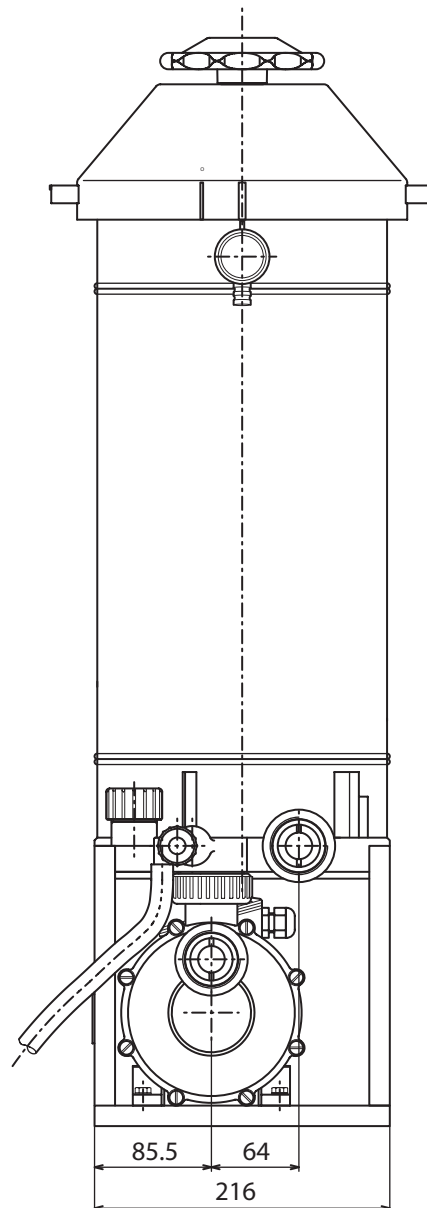
L59 to L89 filters

- Manometric head in meters
- Output in m³/h



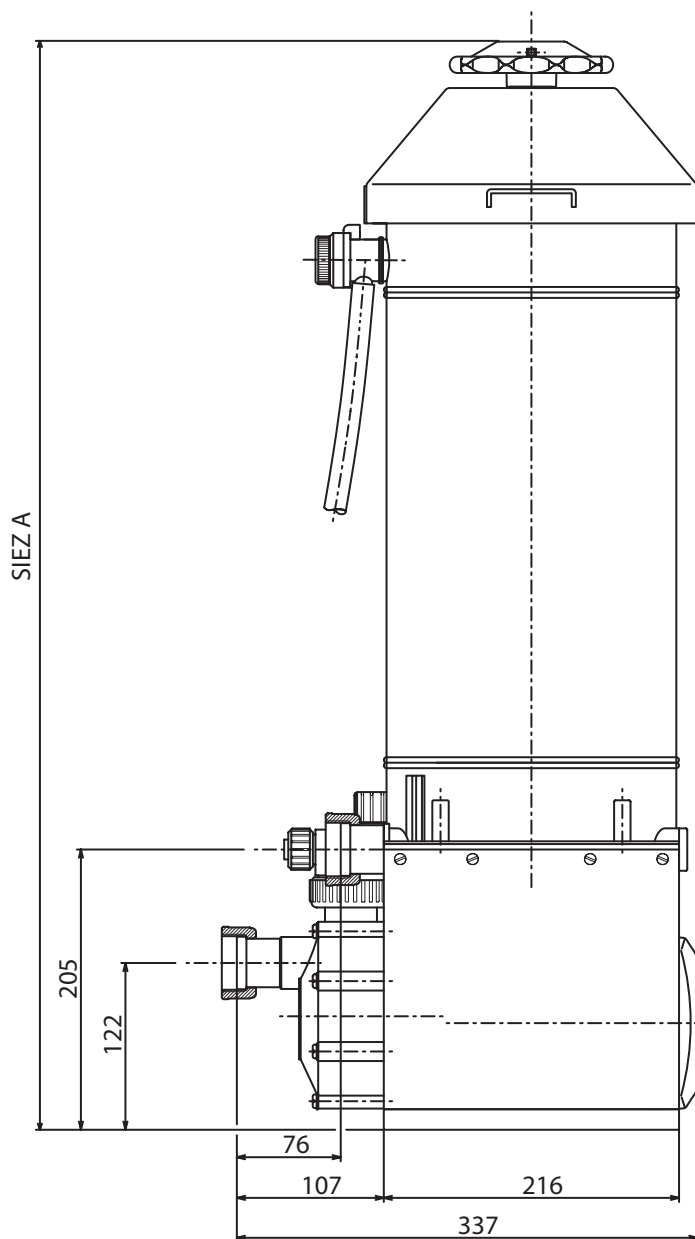


General dimensions of filters L20 to L50





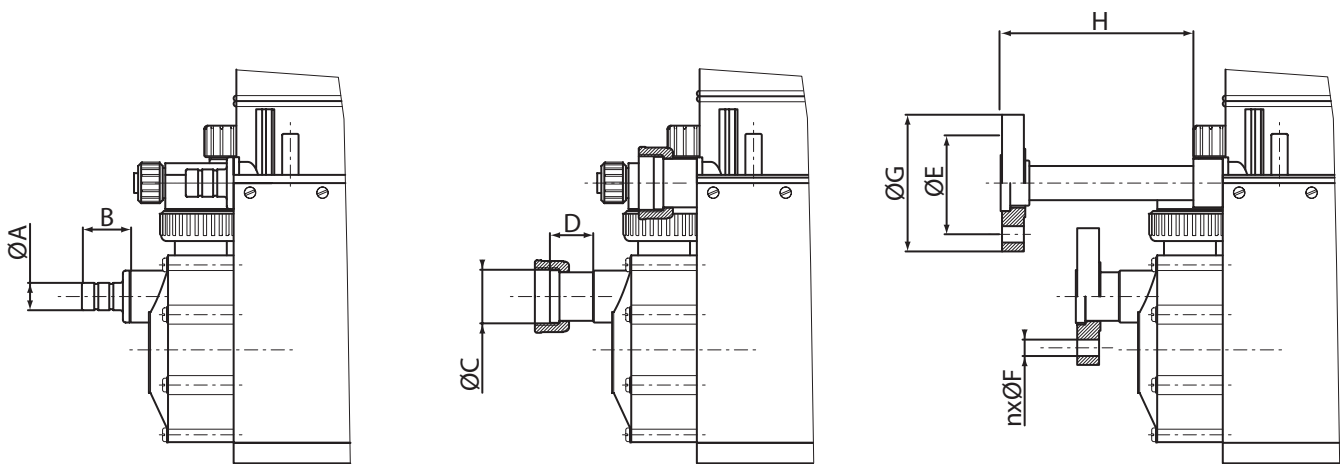
General dimensions of filters L20 to L50



Filter model	Size A
L20	600 mm
L30	696 mm
L40	816 mm
L50	950 mm



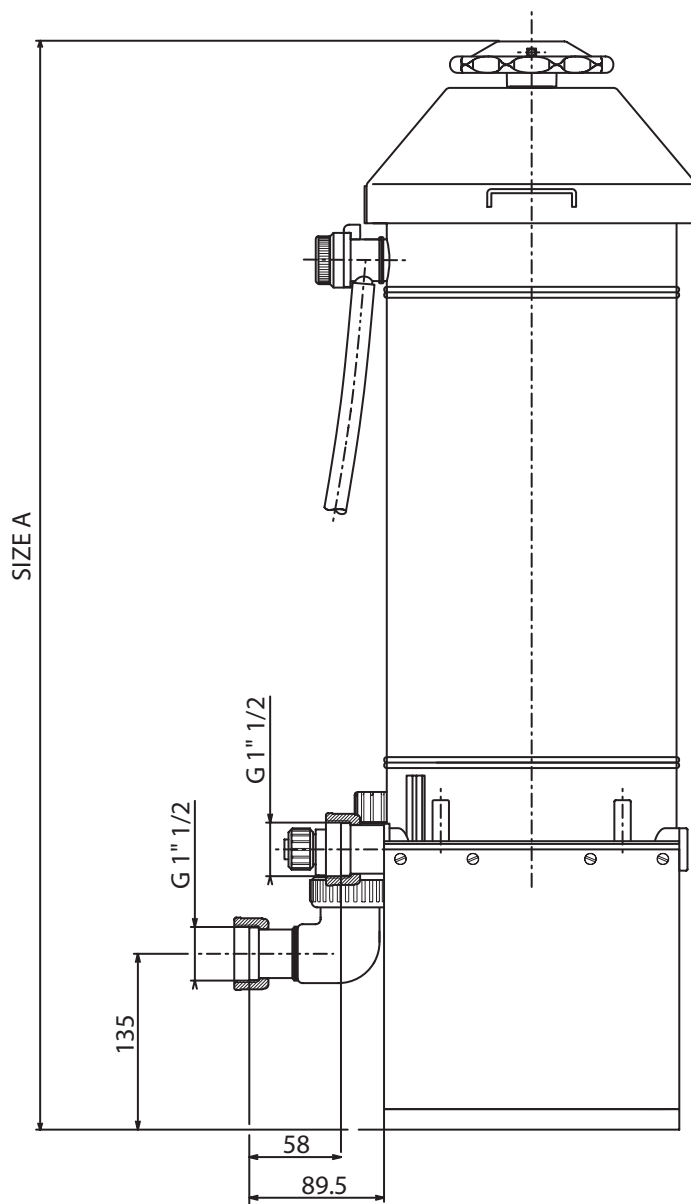
Connections of filters L20 to L50



Pump models		Grooved nozzle ØA - B	Union nut ØC (DN) - D	Flange fitting ØG - ØE - nxØF - H
M35	<i>inlet</i>	20 - 35	G1"1/4 - DN15 - 30	100 - 75 - 4x12 - 31.5
	<i>outlet</i>	20 - 35	G1"1/4 - DN15 - 30	100 - 75 - 4x12 - 140
M50	<i>inlet</i>	25 - 35	G1"1/2 - DN20 - 30	100 - 75 - 4x12 - 31.5
	<i>outlet</i>	25 - 35	G1"1/2 - DN20 - 30	100 - 75 - 4x12 - 140
M70	<i>inlet</i>	40 - 60	G2" - DN32 - 54	140 - 100 - 4x18 - 55
	<i>outlet</i>	25 - 35	G1"1/2 - DN20 - 30	100 - 75 - 4x12 - 140



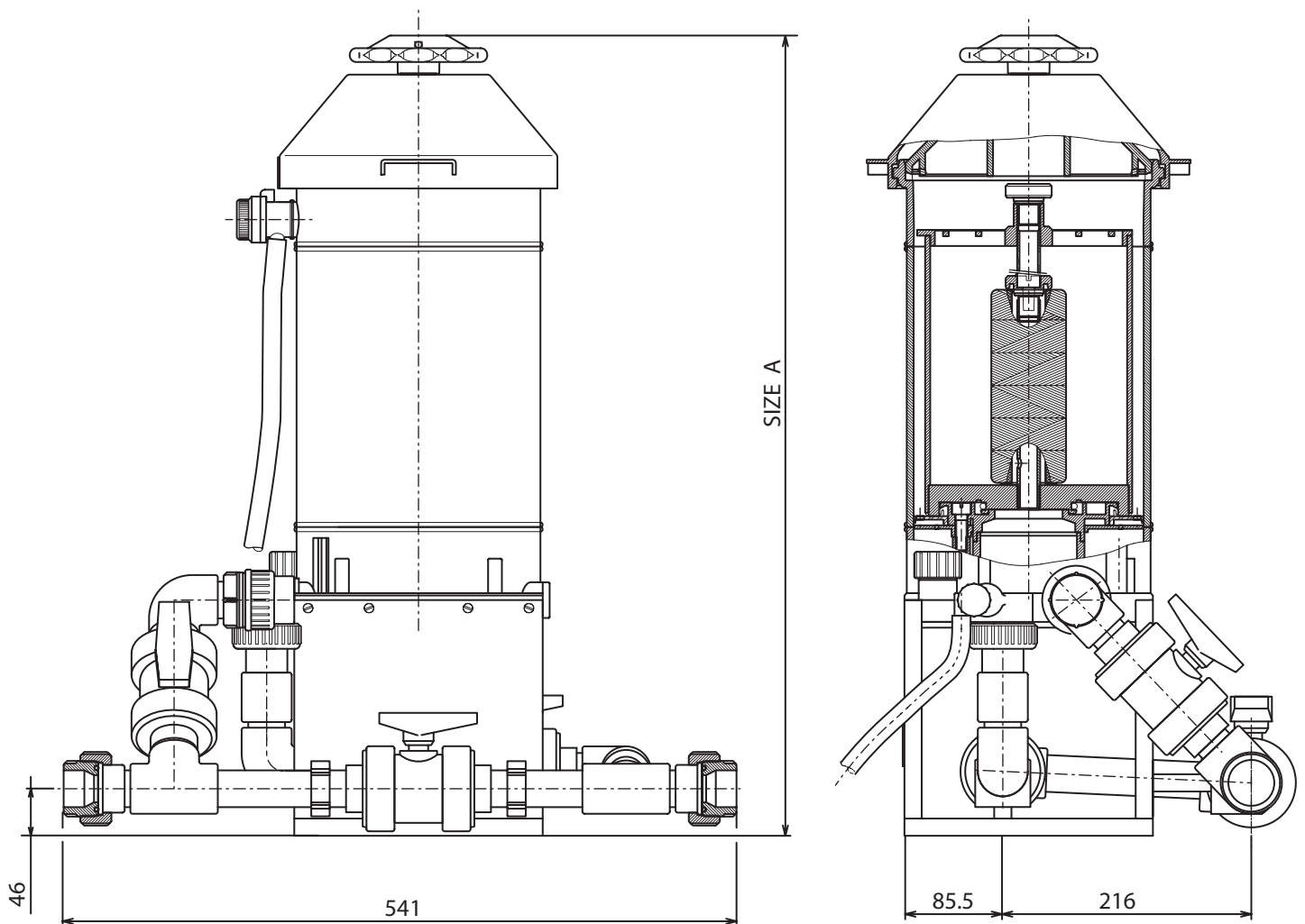
Filters L30 & L50 without pump



Filter model	Size A
L30	696 mm
L50	950 mm



Optional activated carbon piping for filters L30 & L50 without pump

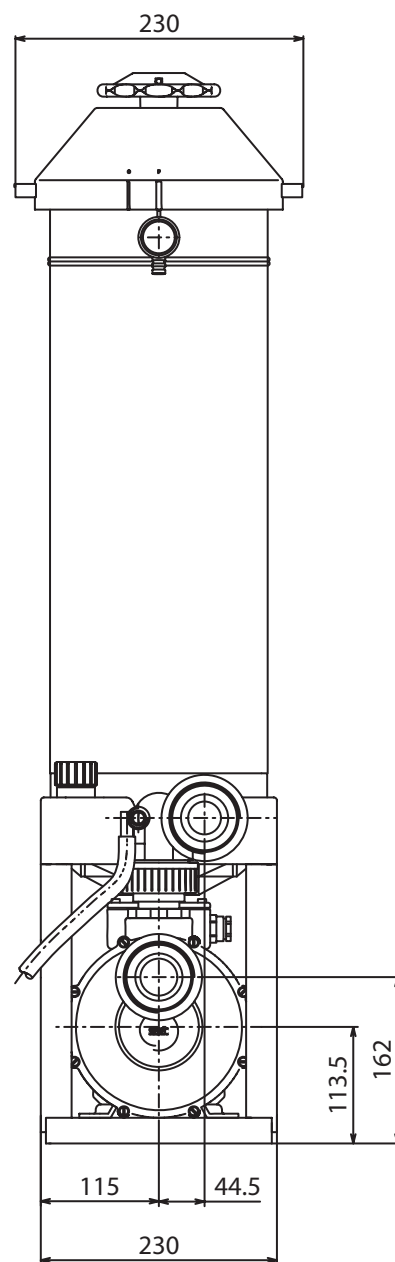


- ACTIVATED CARBON PIPING IN DN25
- BY-PASS PIPING IN DN32

Filter model	Size A
L30	696 mm
L50	950 mm

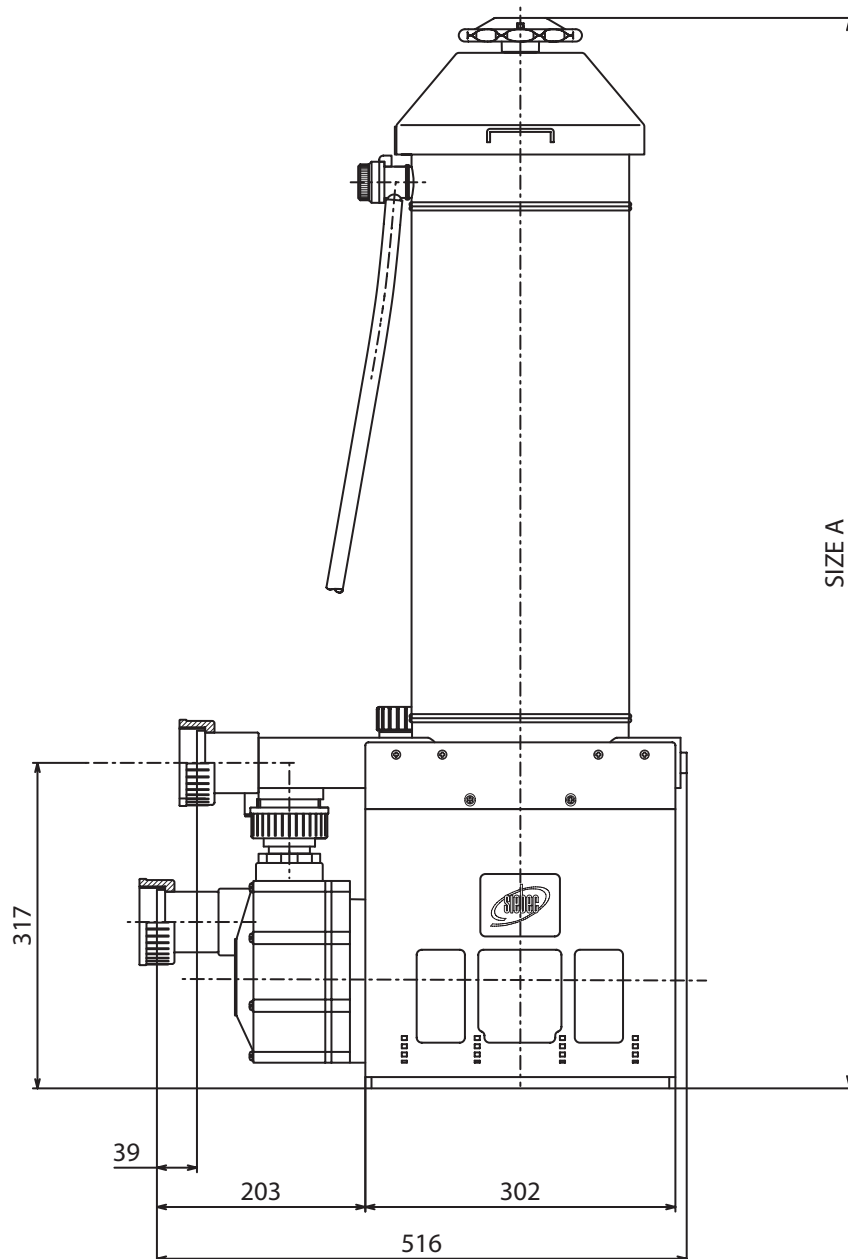


General dimensions of filters L31 to L81





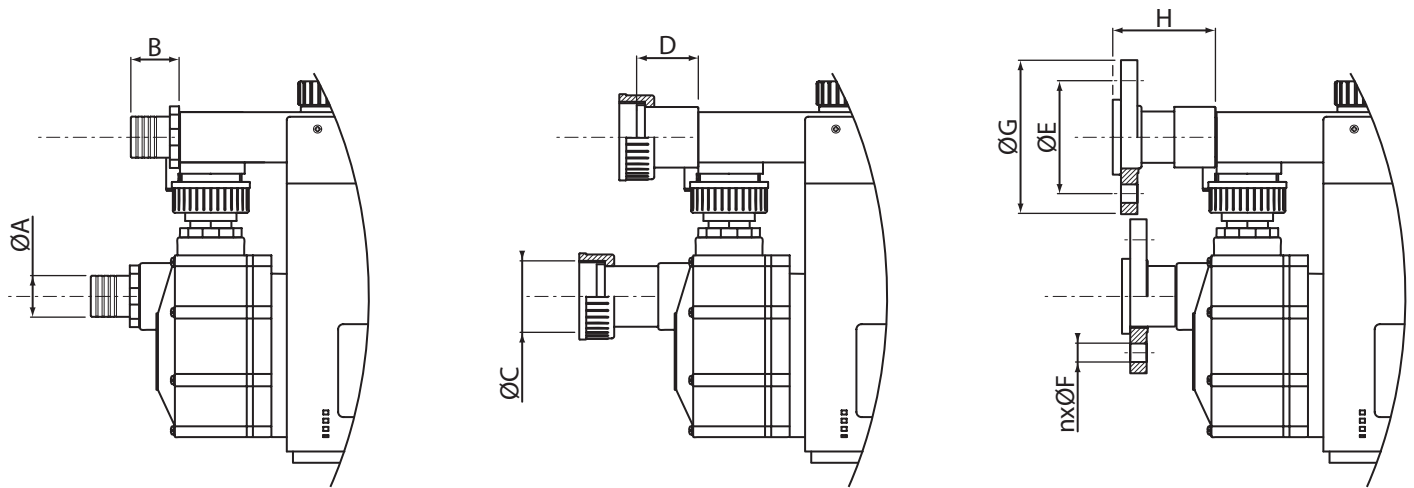
General dimensions of filters L31 to L81



Filter model	Size A
L31	788 mm
L41	908 mm
L51	1042 mm
L81	1296 mm



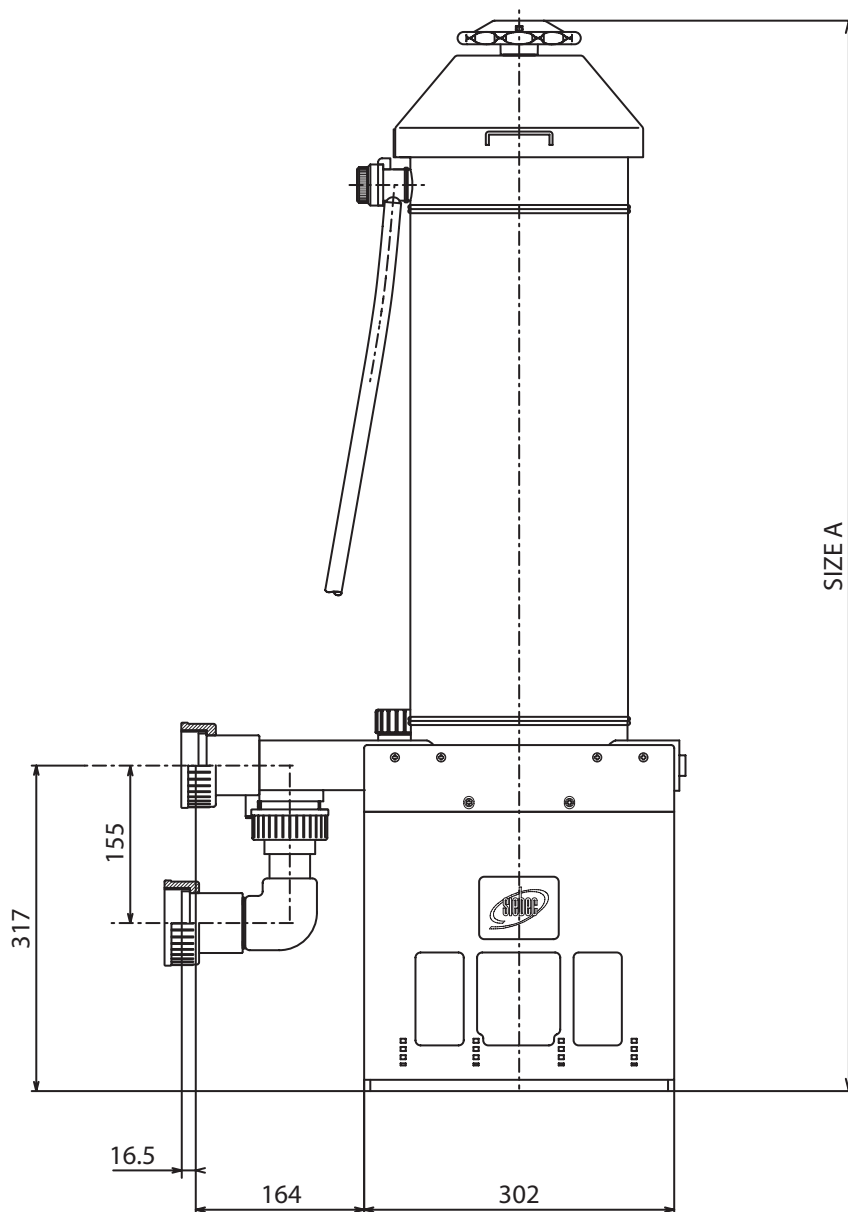
Connections of filters L31 to L81



Pump model		Grooved nozzle	Union nut	Flange
		ØA - B	ØC (DN) - D	ØG - ØE - nxØF - H
M100 - M140	<i>inlet</i>	40 - 47	G2"1/4 - DN40 - 60	150 - 110 - 4x18 - 60
	<i>outlet</i>	40 - 47	G2"1/4 - DN40 - 60	150 - 110 - 4x18 - 60
M200-M250	<i>inlet</i>	50 - 55	G2"3/4 - DN50 - 60	165 - 125 - 4x18 - 60
	<i>outlet</i>	40 - 47	G2"1/4 - DN40 - 60	150 - 110 - 4x18 - 60
A18 - A19	<i>inlet</i>	40 - 47	G2"1/4 - DN40 - 60	150 - 110 - 4x18 - 60
	<i>outlet</i>	40 - 47	G2"1/4 - DN40 - 60	150 - 110 - 4x18 - 60



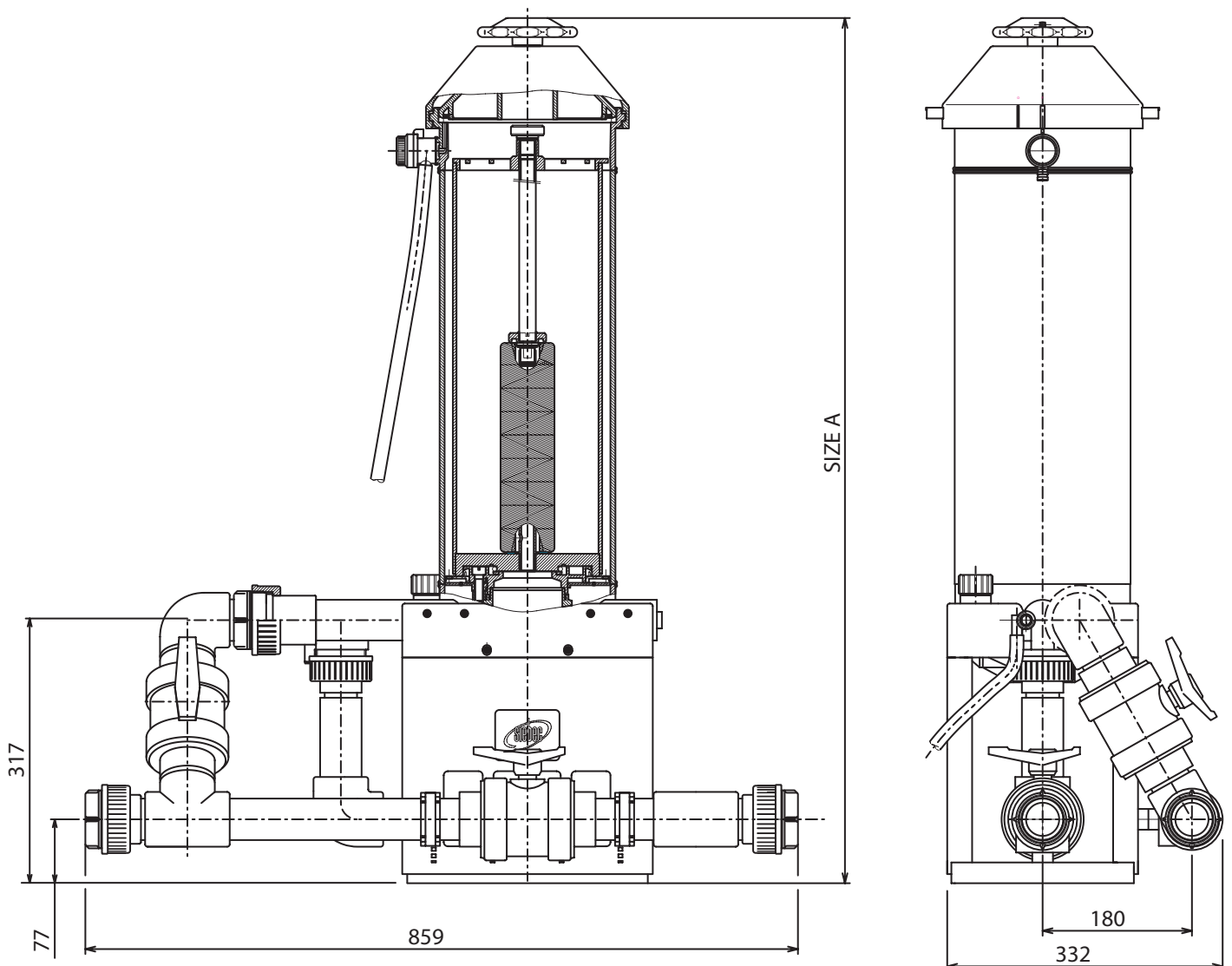
Filters L31 to L81 without pump



Filter model	Size A
L31	788 mm
L51	1042 mm
L81	1296 mm



Optional activated carbon piping for filters L31 to L81 without pump

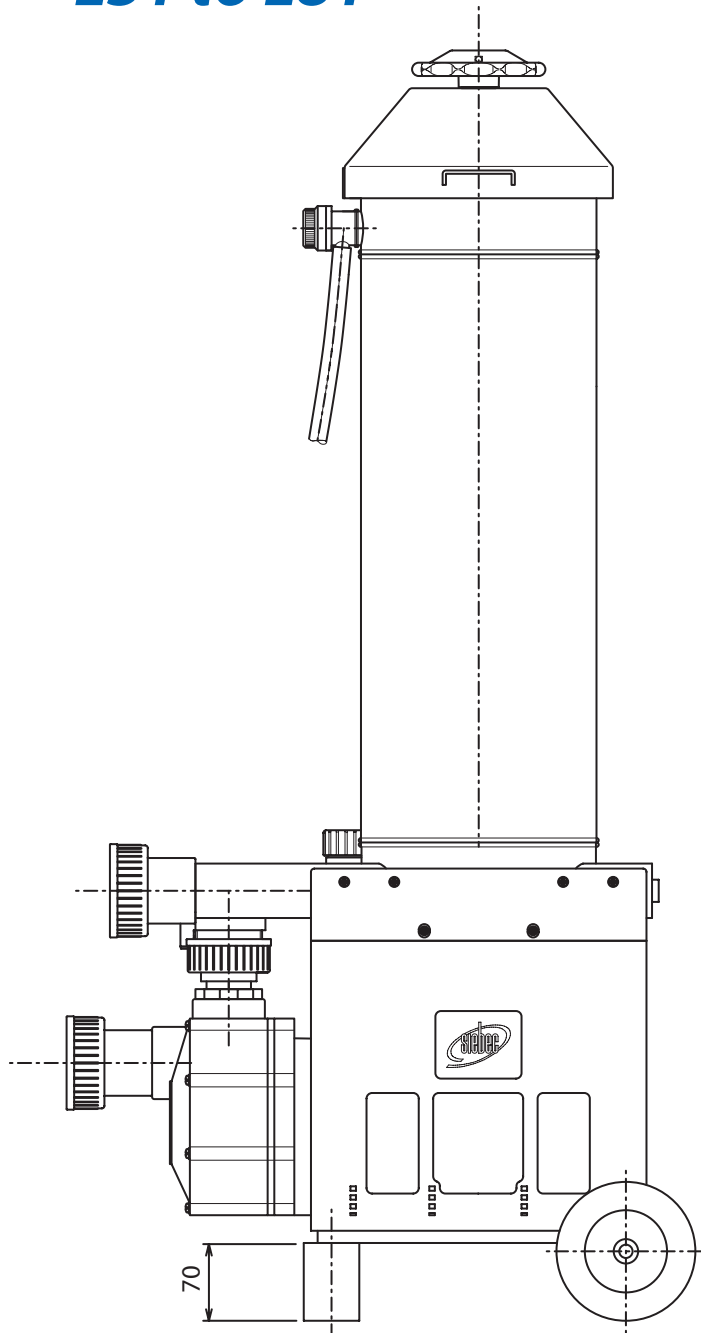


- ACTIVATED CARBON AND BY-PASS PIPING IN DN40

Filter model	Size A
L31	788 mm
L51	1042 mm
L81	1296 mm

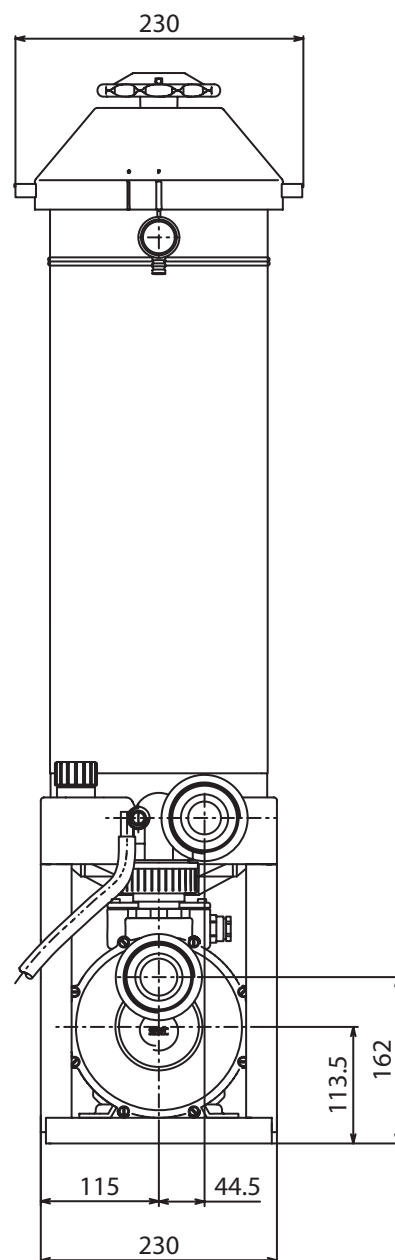


Optional "easy move" kit for filters L31 to L81



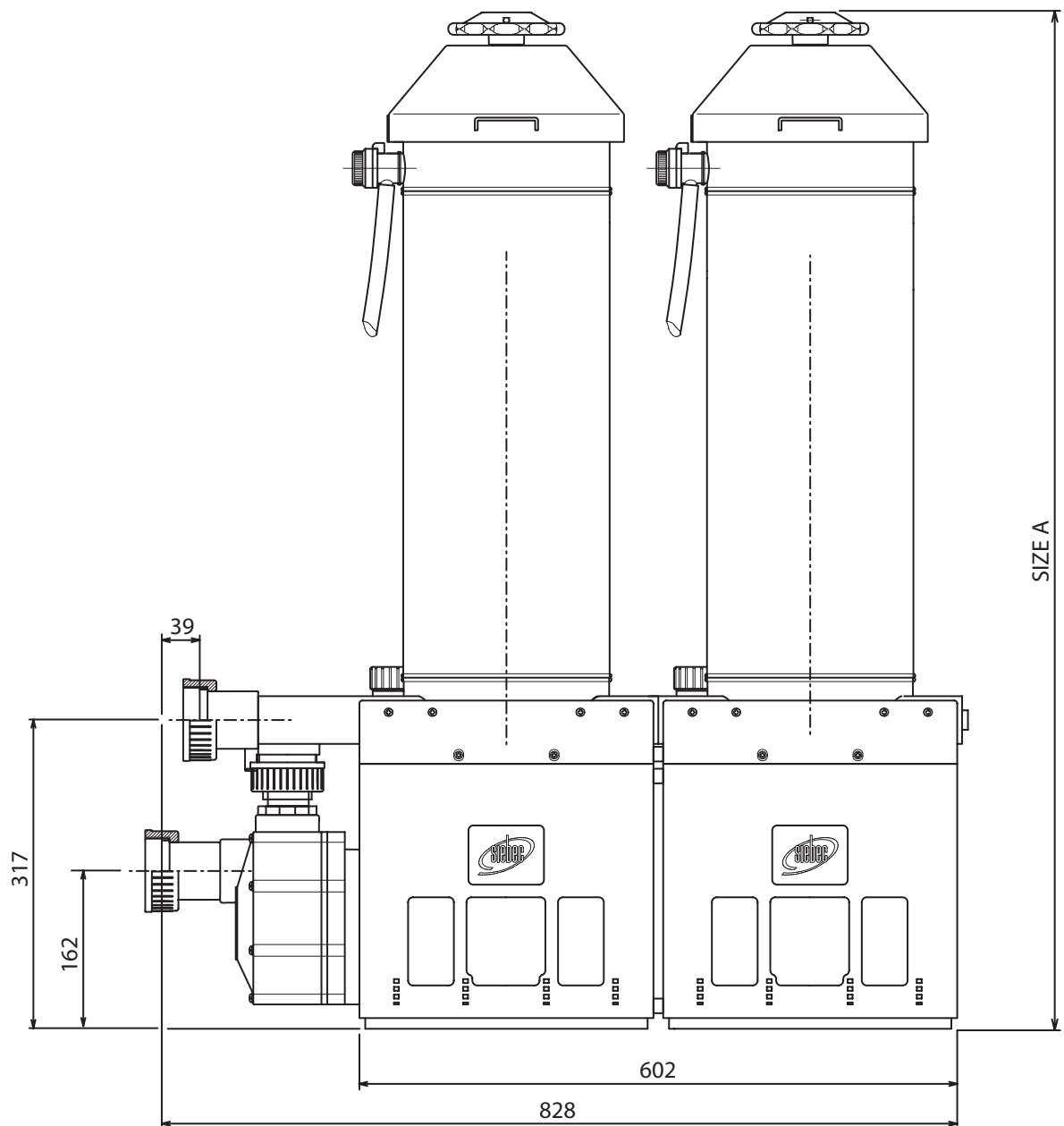


General dimensions of filters L52 & L82





General dimensions of filters L52 & L82

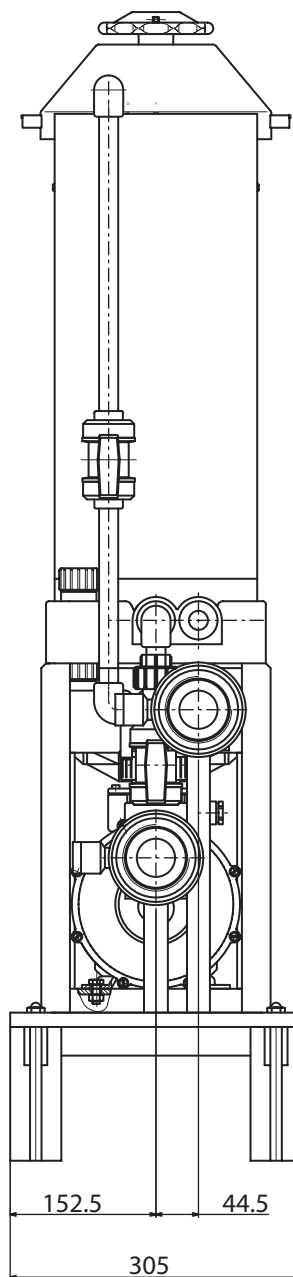


Pump model	M140	A19	M200 - M250
Inlet	G 2" 1/4	G 2" 1/4	G 2" 1/2
Outlet	G 2" 1/4	G 2" 1/4	G 2" 1/4

Filter model	Size A
L52	1042 mm
L82	1290 mm

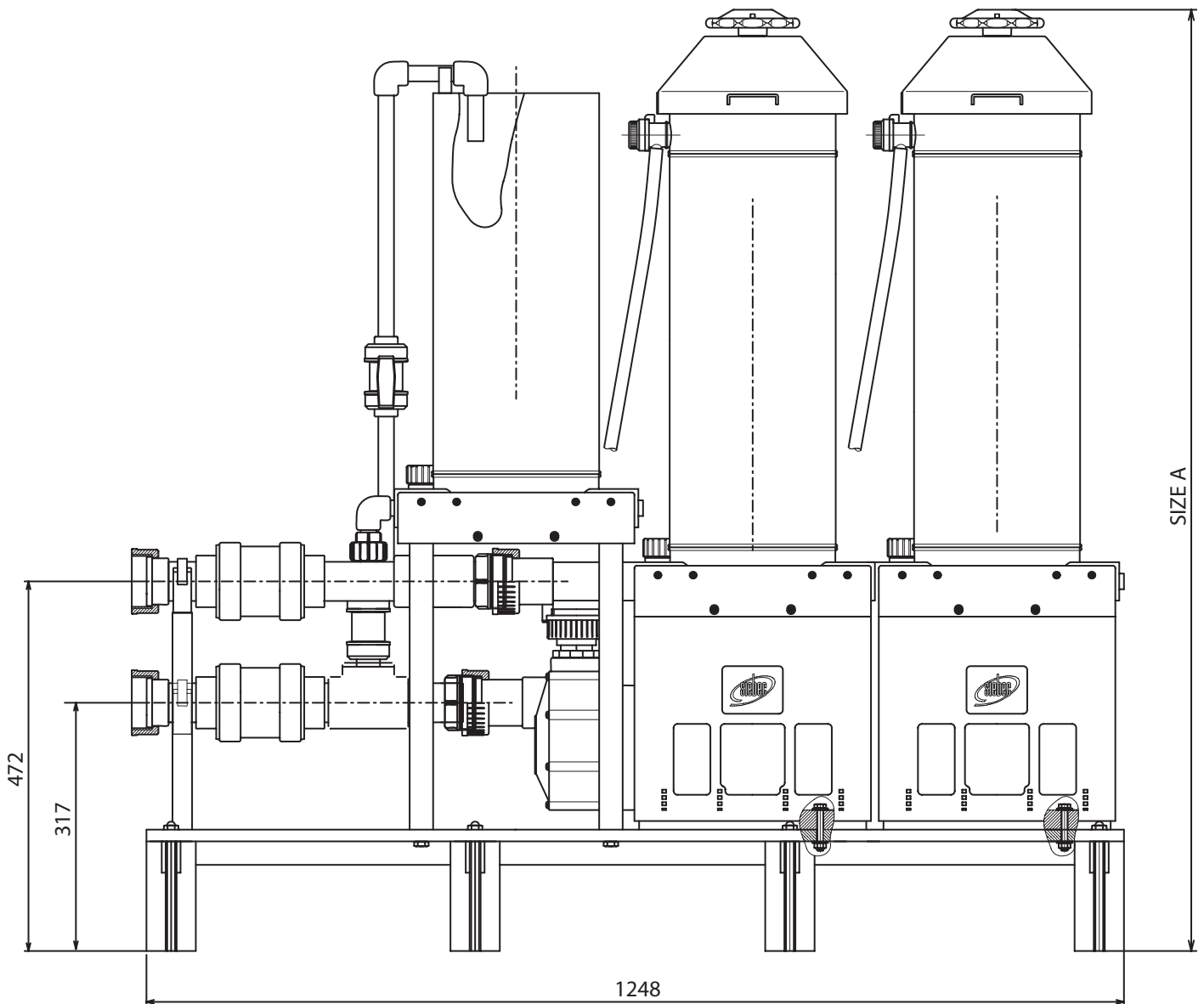


General dimensions of filters L58 & L88





General dimensions of filters L58 & L88

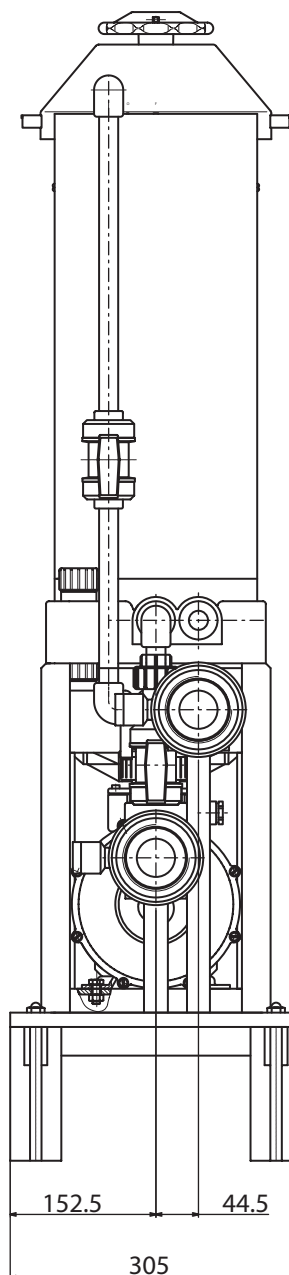


Pump model	M140	A19	M200-M250
inlet	G 2" 1/4	G 2" 1/4	G 2" 1/4
outlet	G 2" 1/4	G 2" 1/4	G 2" 1/4

Filter model	Size A
L58	1202 mm
L88	1456 mm

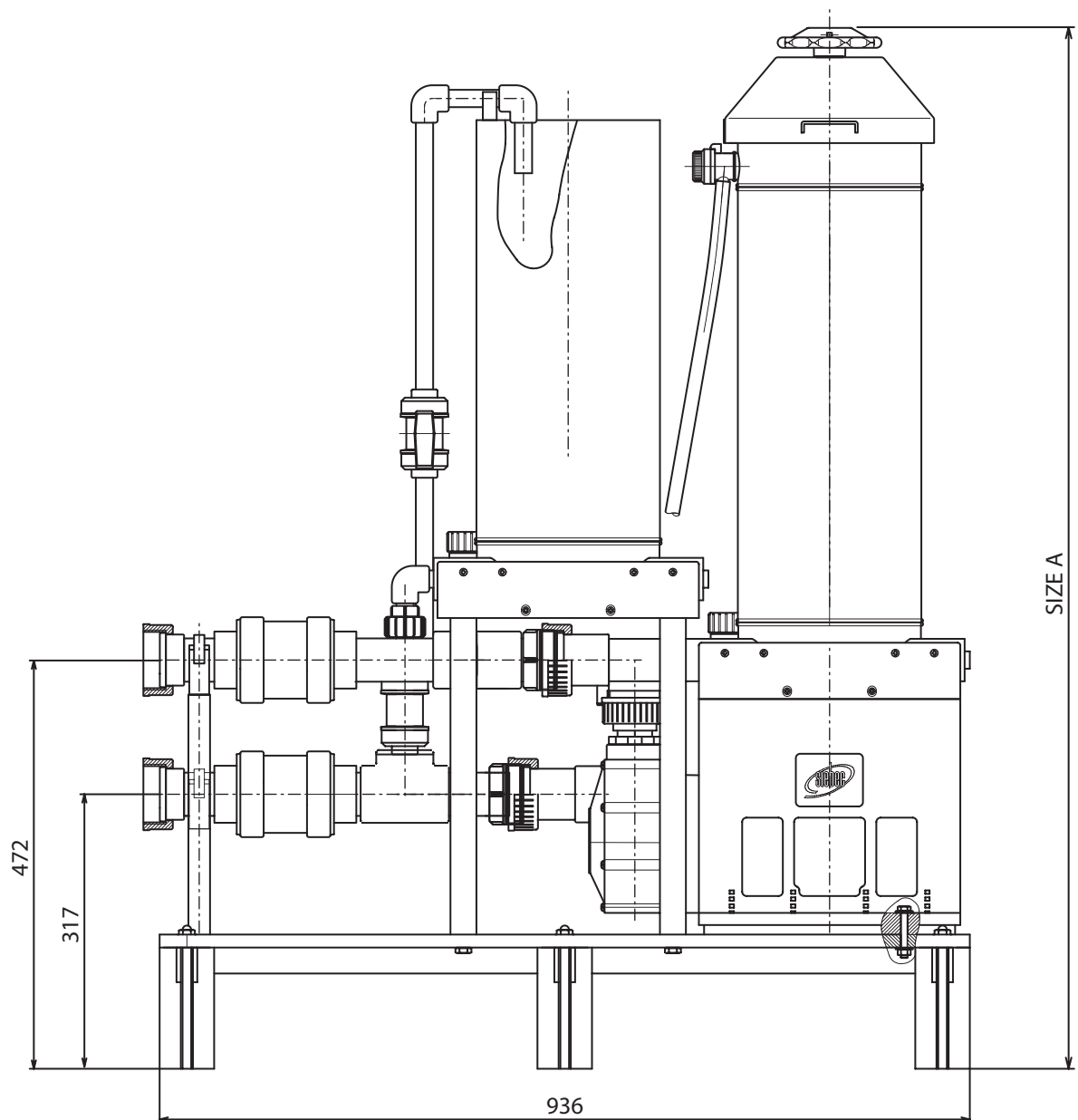


General dimensions of filters L59 & L89





General dimensions of filters L59 & L89



Pump model	M100-M140	A18-A19	M200-M250
inlet	G 2" 1/4	G 2" 1/4	G 2" 1/4
outlet	G 2" 1/4	G 2" 1/4	G 2" 1/4

Filter model	Size A
L59	1202mm
L89	1456 mm