

WATERCO

Water, the Liquid of Life

Water Treatment

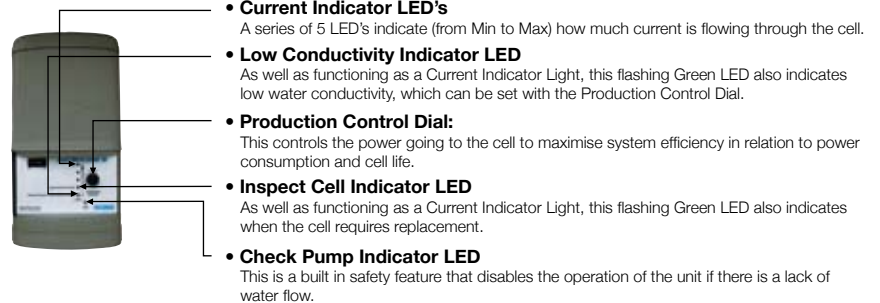
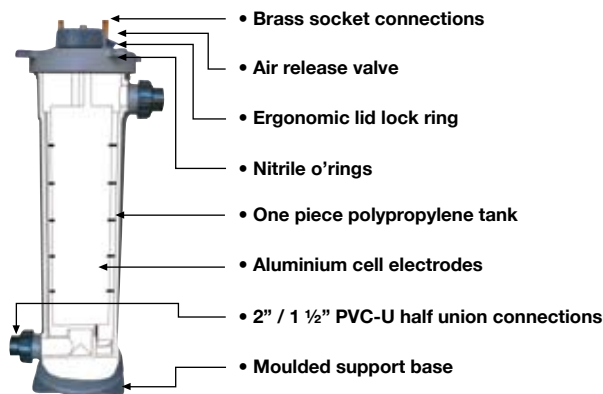
Electroclear

Electric Clarification



ELECTROCLEAR

The Electroclear applies an electric current to a set of aluminium electrodes to release aluminium ions into the water. These aluminium ions, as well as the electric current which is passed through the water, react with, and reduce organic contaminants and some inorganic contaminants.



The Electroclear simultaneously precipitates and coagulates a wide range of contaminants with the use of electricity.

Functions

- Electronically controlled release of coagulating and flocculating agents
- Reduces suspended solids
- Oxidizes iron
- Reduces Biochemical Oxygen Demand (BOD), Chemical Oxygen Demand (COD), phosphates, Total Nitrogen and Sulphates

Features

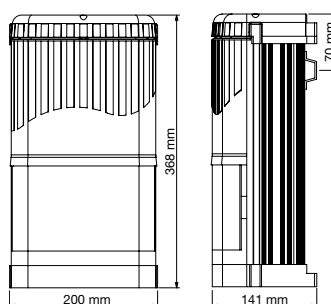
- Minimum operator attention
- Low energy consumption and minimal maintenance
- Small footprint
- Quick and easy cell maintenance/replacement
- Minimal sludge production.

Technical Specifications

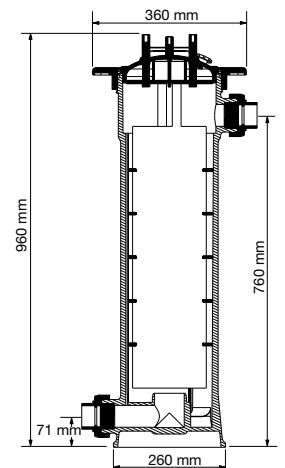
Minimum required TDS of water	50 mg/l
Recommended flow rate range	15 to 30 l/min / 0.9 to 1.8 m ³ /hr
Recommended operating pH range	7 to 8
Degree of protection to AS1939	Ip23
Max ambient air temp	40°C

Electrical Specifications

	Input		Output	
	Powerpack	Cell	Pump	
Voltage	240VAC	8VDC	240VAC	
Current	10A	30A (max@20°C)	8A	



Electroclear Control Box



Electroclear

MULTICYCLONE

Centrifugal water filtration

MULTICYCLONE

Part Number	Product Description	Nominal Size
200370	MultiCyclone Centrifugal Filter (c/w 25mm valve)	
200373	MultiCyclone Stand	



Centrifugal filtration

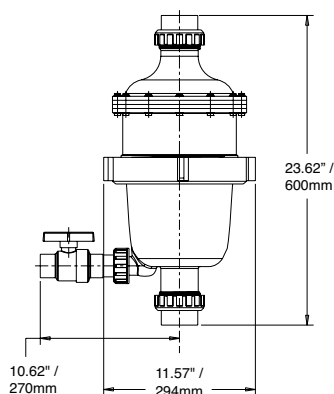
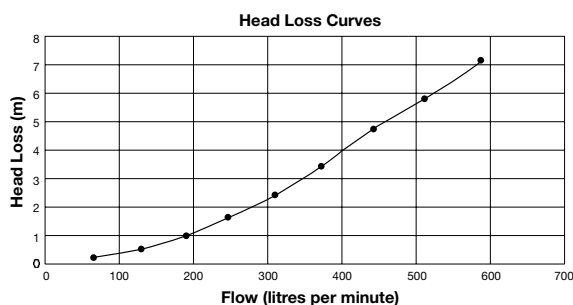
- Incoming water enters 16 hydro cyclones tangentially, generating a strong centrifugal effect.
- The sediment is spun out to the hydro cyclone's wall, and then spirals down to the sediment chamber*.
- The filtered water migrates towards the center of the hydro cyclone where the flow reverses and spirals upwards through the outlet.
- Accumulation of sediment can be visibly monitored through the MultiCyclone's clear sediment chamber.

* Note: The MultiCyclone is designed to filter sediment that is heavier than water, floating debris cannot be filtered out by centrifugal filtration.

Based on the principals of centrifugal water filtration, there are no moving parts to wear and tear, and no filter media to clean or replace. Its 16 miniature cyclones are able to filter down to 30 microns, reducing filter maintenance. Only 15 litres of water is required to flush its trapped contents.

Specifications

Dimensions (mm)



Minimum flow rate	Maximum flow rate
50 lpm / 3 m ³ /hr / 13 gpm	500 lpm / 30 m ³ /hr / 132 gpm

Warranty

MultiCyclone commercial installations are covered by a 1 year warranty.

Micron W Filters

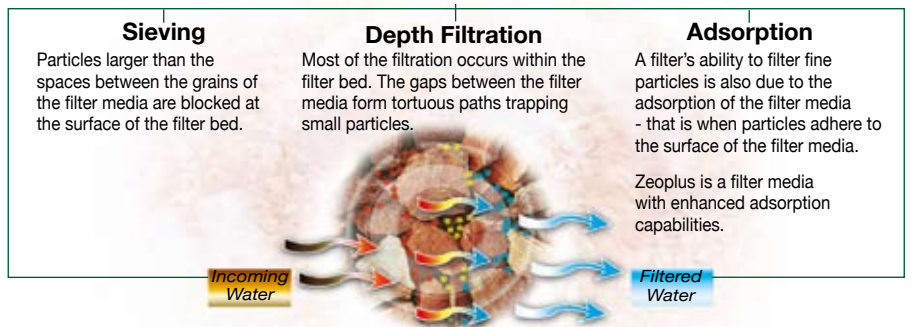
Enjoy clear water through your whole house



MICRON W FILTERS

Part Number	Product Description	Nominal Size
2247250	Micron W250 (700kPa) - c/w 40mm 5 way MPV	
22473010	Micron W300 (700kPa) - c/w 40mm 5 way MPV	

The Filtration Process



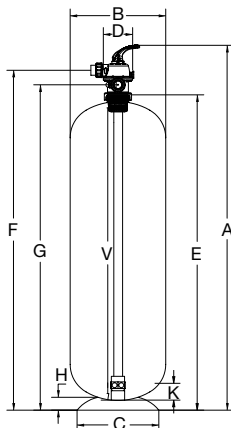
Micron W series filter is capable of filtering out particles as small as 10 microns (0.01mm).

- Effective Filtration
- Minimal Maintenance
- Dependable Strength and Durability

Warranty

PRODUCT	FULL WARRANTY	PRO-RATA WARRANTY
1. Residential Applications • W250/ W300 • Other W/ WD	5 years 2 years	Not applicable 3 years
2. Commercial Applications	2 years	Not applicable

* Please refer to Waterco's warranty terms and conditions.



Strength and Durability

A Micron W's innovative design and superior construction techniques provide it the strength to cope with working pressures up to 700kPa. (Equivalent to 71 tonnes per square meter.)

Refined Filament Winding

Waterco's advanced filament winding machine winds continuous strands of fibreglass onto the filter's inner tank to strengthen the filter so that it is able to withstand high water pressures as well as fluctuating water pressures.

Specifications

Filter Model	Valve Size		Bed Depth		Inner Diameter		Filter Area	Max. Flow*	Media Volume	Sand 16/30	ZeoPlus 1-2.2		
	mm	EU mm	In	mm	In	mm						In	
W250	40	50	1.5	600	23.6	250	9.9	0.05	0.53	30	62	60	49
W300	40	50	1.5	600	23.6	300	11.8	0.07	0.76	42	87	85	70

Dimensions (mm)

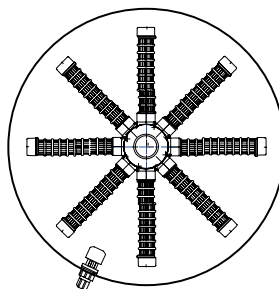
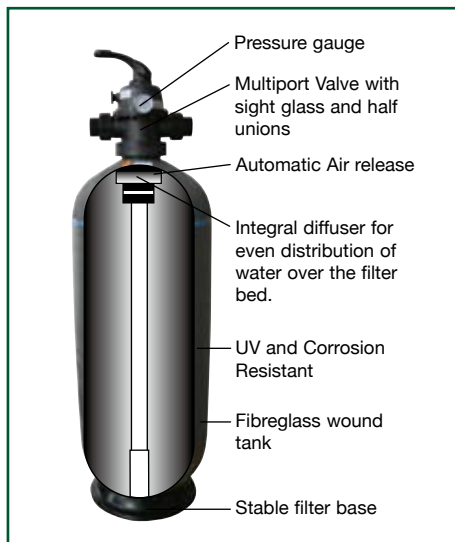
Model	A	B	C	D	E	F	G	H	V	K
W250	1385	268	304	160	1119	1252	1172	162	955	180
W300	1366	322	346	160	1100	1233	1153	175	955	180

Micron W & WD Filters

Deep Bed Filters

MICRON W FILTERS

Part Number	Product Description	Nominal Size
2247250	Micron W250 (700kPa) - c/w 40mm 5 way MPV	
22473010	Micron W300 (700kPa) - c/w 40mm 5 way MPV	
22473570	Micron W350 (700kPa) - c/w 40mm 5 way MPV	
22474070	Micron W400 (700kPa) - c/w 40mm 5 way MPV	
22475070	Micron W500 (700kPa) - c/w 40mm 5 way MPV	
22476070	Micron W600 (700kPa) - c/w 40mm 5 way MPV	
22477070	Micron W700 (700kPa) - c/w 40mm 5 way MPV	



Conventional lateral configuration in W & WD Series applies to models W500 to WD900 only



Technologically Advanced

Micron filters consist of a blow moulded inner shell of fibreglass reinforced polyester resin strengthened with multiple layers of continuous strands of fibreglass filament.

Micron filters are wound with precision by Waterco's digital filament winding machines, for refined consistency and superior quality.

Specifications

Filter Model	MPV Size	Filter Bed Depth	Filter Bed Area	Filtration Flow Rates		Backwash Flow Rates		Filter Bed Volume	Sand 16/30	ZeoPlus
				36m ³ /hr/m ²	lpm	40m ³ /hr/m ²	lpm			
W250	40	600	0.05	30	1.8	33	2	41	60	49
W300	40	600	0.07	42	2.5	47	2.8	58	85	70
W350	40	600	0.10	60	3.6	67	4	79	115	95
W400	40	600	0.13	78	4.7	87	5.2	79	115	95
W500	40	600	0.20	120	7.2	133	8	123	180	148
W600	40	600	0.28	168	10.1	187	11.2	175	255	210
W700	40	600	0.38	228	13.7	253	15.2	240	350	288

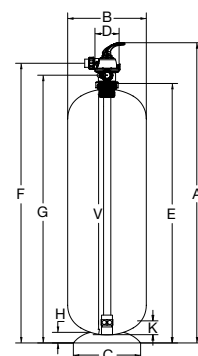
Dimensions (mm)

Model	A	B	C	D	E	F	G	H	V	K
W250	1385	268	304	160	1119	1252	1172	162	955	180
W300	1366	322	346	160	1100	1233	1153	175	955	180
W350	1397	366	355	160	1130	1262	1183	63	1010	180
W400	1377	416	355	160	1110	1242	1163	63	995	76
W500	1415	518	443	160	1148	1280	1201	69	1014	76
W600	1402	620	540	160	1135	1267	1188	88	992	76
W700	1407	720	540	160	1140	1272	1193	88	1015	86

Warranty

PRODUCT	FULL WARRANTY	PRO-RATA WARRANTY
1. Residential Applications		
• W250/W300	5 years	Not applicable
• Other W/WD	2 years	3 years
2. Commercial Applications	2 years	Not applicable

* Please refer to Waterco's warranty terms and conditions.



Micron W & WD Filters

Deep Sand Filters



MICRON WD FILTERS

Part Number	Product Description	Nominal Size
22483070	Micron WD300 (700kPa) - c/w 40mm 5 way MPV	
22483570	Micron WD350 (700kPa) - c/w 40mm 5 way MPV	
22484070	Micron WD400 (700kPa) - c/w 40mm 5 way MPV	
22485070	Micron WD500 (700kPa) - c/w 40mm 5 way MPV	
22486070	Micron WD600 (700kPa) - c/w 40mm 5 way MPV	
22487070	Micron WD700 (700kPa) - c/w 40mm 5 way MPV	

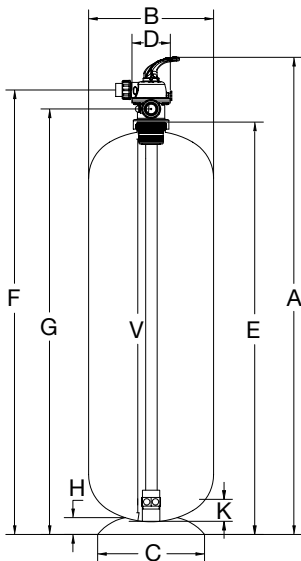
Specifications

Filter Model	MPV Size	Filter Bed Depth	Filter Bed Area	Filtration Flow Rates		Backwash Flow Rates		Filter Bed Volume	Sand 16/30	ZeoPlus
				36m ³ /hr/m ²	40m ³ /hr/m ²	40m ³ /hr/m ²	36m ³ /hr/m ²			
	mm	mm	m ²	lpm	m ³ /hr	lpm	m ³ /hr	litres	Kg	Kg
WD300	40	1000	0.07	42	2.5	47	2.8	86	125	103
WD350	40	1000	0.10	60	3.6	67	4	116	170	140
WD400	40	1000	0.13	78	4.7	87	5.2	129	188	155
WD500	40	1000	0.20	120	7.2	133	8	199	290	238
WD600	40	1000	0.28	168	10.1	187	11.2	288	420	345
WD700	40	1000	0.38	228	13.7	253	15.2	394	575	473

Micron WD filters are designed with filter bed depths of 1000mm providing enhanced filtration and increased contact time.

Dimensions (mm)

Model	A	B	C	D	E	F	G	H	V	K
WD300	1977	315	301	160	1710	1841	1762	75	1590	180
WD350	1997	366	356	160	1730	1861	1782	63	1612	180
WD400	1987	416	356	160	1720	1851	1772	63	1595	76
WD500	2009	518	443	160	1742	1873	1794	69	1600	76
WD600	1997	620	540	160	1730	1861	1782	88	1582	76
WD700	2002	720	540	160	1735	1866	1787	88	1622	86



Warranty

PRODUCT	FULL WARRANTY	PRO-RATA WARRANTY
1. Residential Applications <ul style="list-style-type: none"> W250/W300 Other W/WD 	5 years 2 years	Not applicable 3 years
2. Commercial Applications	2 years	Not applicable

* Please refer to Waterco's warranty terms and conditions.

Automated Micron W Series Filters

Automated Deep Bed Filters

AUTOMATED MICRON W SERIES FILTERS

Part Number	Product Description	Nominal Size
22472500	Automated W250 MKII Deep Bed Filter - c/w Automated Valve (time based)	
22472502	W250 MKII Tank Only, suitable for Automated Valve	
22473002	Automated W300 MKII Deep Bed Filter - c/w Automated Valve (time based)	
22473000	W300 MKII Tank Only, suitable for Automated Valve	
22473500	Automated W350 MKII Deep Bed Filter - c/w Automated Valve (time based)	
22473502	W350 MKII Tank Only, suitable for Automated Valve	
22474000	Automated W400 MKII Deep Bed Filter - c/w Automated Valve (time based)	
22474002	W400 MKII Tank Only, suitable for Automated Valve	

Specifications

Filter Model	MPV Size	Filter Bed Depth	Filter Bed Area	Filtration Flow Rates 36m ³ /hr/m ²		Backwash Flow Rates 40m ³ /hr/m ²		Filter Bed Volume	Sand 16/30	ZeoPlus
				lpm	m ³ /hr	lpm	m ³ /hr			
W250	40	600	0.05	30	1.8	33	2	41	60	49
W300	40	600	0.07	42	2.5	47	2.8	58	85	70
W350	40	600	0.10	60	3.6	67	4	79	115	95
W400	40	600	0.13	78	4.7	87	5.2	79	115	95

All filters are able to sustain temperature of 50°C and have a max working pressure of 600kPa.

Dimensions (mm)

Model	Inner Diameter (mm)	Overall Width (mm)	Overall Height (mm)
W250	250	268	1385
W300	300	322	1366
W350	350	366	1395
W400	400	416	1376



WSA Valve

W series Automated Valve



The WSA Valve is designed to direct and regulate all the cycles necessary for the day to day operation of the Micron W300mkl filter.

The WSA Valve features:

- Manufactured from composite plastics.
- Solid state microprocessor with easy access front panel settings.
- User friendly digital display and programming.
- Two Calendar Options.
- 3 selectable pre-programmed backwash cycles.
- Stores system configuration and operation data in nonvolatile memory.
- 12-volt transformer provides safe and easy installation.
- Control valve design provides optimum service and backwash rates.
- Modular design with no screws to lose.
- Weather-Proof Cover for protection against the sun and the rain.

W300 MKII AUTOMATED VALVES & ACCESSORIES

Part Number	Product Description	Nominal Size
72523000	W Series Automated Valve c/w Lock Ring Adaptor & Weather Cover	
72523010	W Series Automated Valve Almond Weather Cover	
855172	W Series Automated Valve Lock Ring	

User friendly digital display and programming

The control valve is easily programmed via three push buttons: Set Hour, ▲/▼.

Normal user displays show the time of day or days remaining before the next backwash

- Set time
- Move to the next display in programming mode



- Toggles between Days to Backwash and Time
- Change variable being displayed in programming mode
- Toggles scheduled backwash on/off
- Hold for more than 3 seconds starts immediate Backwash

Two Calendar Options

The time clock control valve has two calendar options for backwash frequency:

1. An option where the user can choose the number of days (1-99) between each backwash
2. A seven-day option where the user can choose which day(s) of the week a backwash should occur.
3. Selectable pre-programmed backwash cycles

Program	Backwash - Upflow	Rinse - Downflow
Option 1	6 minutes	4 minutes
Option 2	10 minutes	6 minutes
Option 3	14 minutes	8 minutes



Specifications

	WSA Valve
Inlet / Outlet	25mm (1")
Valve Material	Noryl
Flow Rates	
Service @15 psi drop (includes bypass)	102.2 lpm (27 gpm)
Backwash @ 25 psi drop (includes bypass)	102.2 lpm (27 gpm)
Minimum / Maximum Operating Pressures	138kPa (20psi) - 862kPa (125psi)
Minimum / Maximum Operating Temperatures	4° C (40°F) - 43° C (110° F)
Dimensions	
Distributor Pilot	1". (1.050) OD Pipe
Drain Line	19mm (¾") or 25mm (1") NPT
Mounting Base	63.5mm (2 ½" - 8 NPSM)
Height From Top Of Tank	187.325mm (7 3/8")
Weight	2.0 kg (4.5 lbs)
Current Draw and Voltage	0.5A 220 - 240 v

Slimline Cartridge Filters

The Super Space Saver

SLIMLINE CARTRIDGE FILTERS

Part Number	Product Description	Nominal Size
4555251	Slimline CC25 Filter c/w 30 Micron Cartridge	
62051	Slimline Filter Cartridge 30 Micron	



The Slimline takes up a mere 250 cm² of valuable floor space. Not only is it smart on design. The lock ring lid makes cartridge removal and replacement so easy. No additional tools are needed.

Slimline Filter Cartridge

Constructed of long-lasting & reusable polyester fabric.

Has multiple compact pleats providing 2.3 metres of surface area - maximum dirt holding, reduces cleaning frequency.

Specifications

Working Pressure : 400 kPa (58psi)

Maximum Temperature : 40°C (100°F)

Tank : Polypropylene

Tank ports : 25mm female BSP thread

Lock Ring : Glass-filled polypropylene

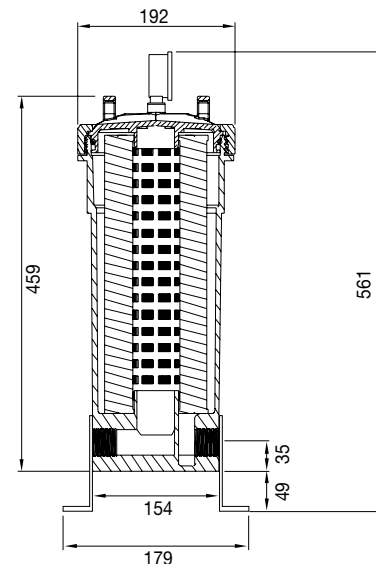
Element : Polyester fabric material, PU end caps, ABS core

Pressure Drop : 20kPa

Seals : Nitrile rubber



Dimensions (mm)



Micron Rating	30	Diameter	127 mm
Max. Flow	95 lpm	Tank Ports	25 mm BSP thread
Surface Area	2.3 m ²	Working Pressures	400 kpa (58 psi)
Length	340 mm	Current Draw and Voltage	40°C (100°F)

Commandomatic

Trimline Bag Filters

The economical and user friendly alternative



TRIMLINE BAG FILTERS

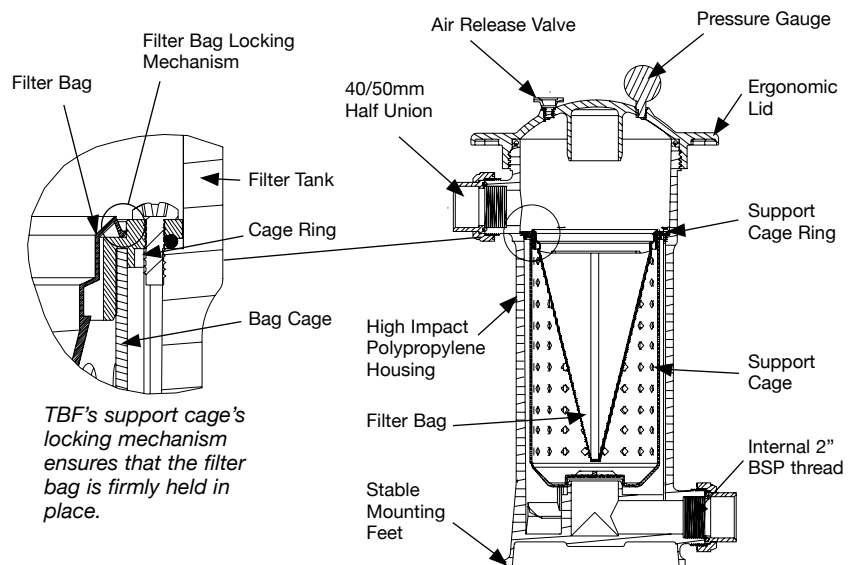
Part Number	Product Description	Nominal Size
3761050	C50 TBF Housing	
37610750	C75 TBF Housing	

Specifications

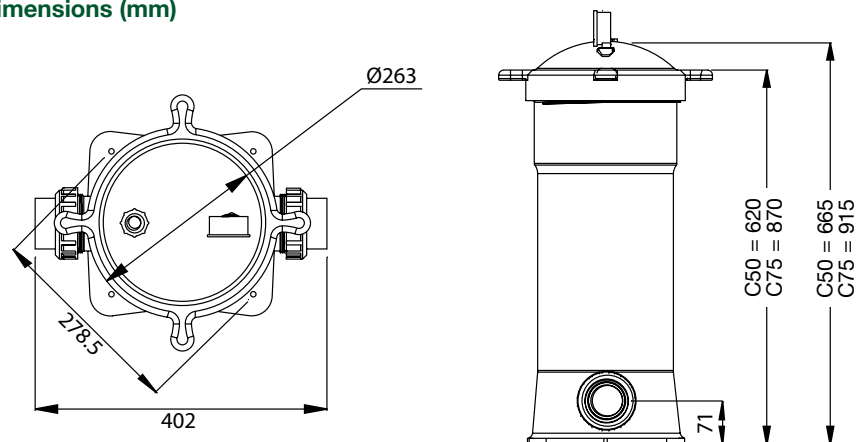
	C50		C75	
Max Flow Rate	190 lpm	50 gpm	270 lpm	70 gpm
Required clearance for servicing	530mm	20.9"	770mm	30.3"
Maximum pressure	600kPa	87psi	600kPa	87psi
Maximum temperature	40°C	100°F	40°C	100°F

TBF housings are constructed from high impact polypropylene to be compatible with a wide range of fluids and its ergonomic screw down lid is designed for simple hand operation allowing for a quick filter changeover.

- Ideal as a coarse pre-filter / leaf trapper
- Disposable filter bags
- One piece mould construction
- Able to withstand up to 600kPa (87 psi)



Dimensions (mm)



Warranty

TBFs are covered by a 5 year warranty (2 full + 3 pro-rata) against faulty materials and workmanship. Commercial applications attract a 2 year conditional warranty.

Commandomatic Trimline Filter Bags

Part Number	Product Description	Nominal Size
TBF Filter Bags - C50		
3651931	1 Micron Filter Bag	
3651924	5 Micron Filter Bag	
3651925	25 Micron Filter Bag	
3651926	50 Micron Filter Bag	
36519261	100 Micron Filter Bag	
36519265	800 Micron Filter Bag	
TBF Filter Bags - C75		
36519310	1 Micron Filter Bag	
36519240	5 Micron Filter Bag	
36519250	25 Micron Filter Bag	
36519260	50 Micron Filter Bag	
36519262	100 Micron Filter Bag	
36519266	800 Micron Filter Bag	



Specifications

FILTER BAG SPECIFICATIONS	C50		C75	
	Surface Area	0.17m ²	1.85ft ²	0.27m ²
Diameter	178mm	7"	178mm	7"
Length	419mm	16.5"	660mm	26"

Material	Polyester*	Polyester*
Specific Gravity	0.91	0.91
Abrasion & Flex	Very Good	Very Good
Weak Acids	Excellent	Excellent
Strong Acids	Excellent	Excellent
Weak Alkali	Excellent	Excellent
Strong Alkali	Excellent	Excellent
Solvents	Fair	Fair

*800 micron bag is nylon

Commandomatic

Trimline Cartridge Filters

The economical and user friendly alternative



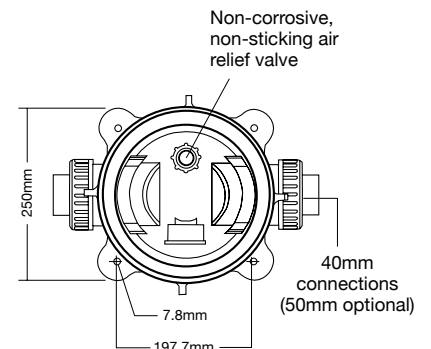
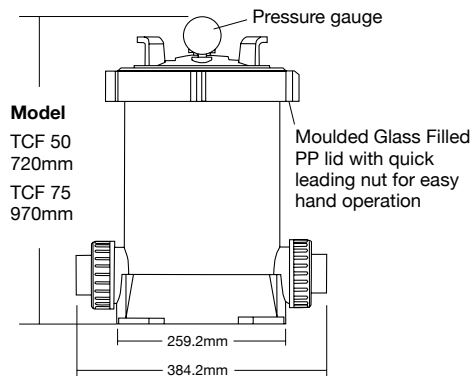
TRIMLINE CARTRIDGE FILTERS

Part Number	Product Description	Nominal Size
2150503	C50 TCF (empty)	
2150753	C75 TCF (empty)	

Specifications

Model	Micron Ratings	Max. Flow Rate	Surface Area	Length	Diameter
C50 TCF	5, 10, 20, 30	190 L/min	4.6m ²	490mm	185mm
C75 TCF	5, 10, 20, 30	275 L/min	6.9m ²	740mm	185mm

Dimensions (mm)



The TCF series housing has been designed as a versatile and heavy-duty unit for residential and commercial applications.

The TCF series housings are designed for top loading with an easy locking ring system requiring no additional tools for simple cartridge removal and replacement. The TCF series housings are fabricated from high impact polypropylene to be compatible with a wide range of fluids.

Warranty

Waterco is proud to show its absolute confidence in its range of TCFs by offering a 5-year (2+3)* tank warranty and 1 year warranty on all other components.

*Commercial applications attract a 2 year tank warranty.

Commandomatic Trimline Filter Cartridges

Pleated Filter Cartridges

The Pleated Filter Cartridges are fabricated from pleated reusable polyester fabric. The media has been pleated to provide 2.3 to 6.9 square metres of surface area in order to maximise the cartridge dirt holding capacity and extend the time between cleaning.

Material : Polyester Fabric material,
Vinyl Plastisol end caps,
Polypropylene core

Operating Temperature : 4°C to 50°C

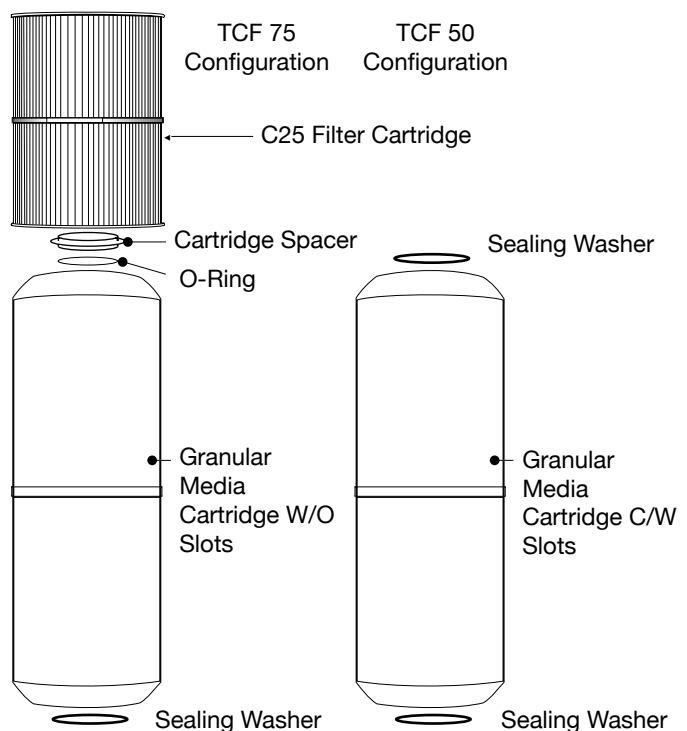
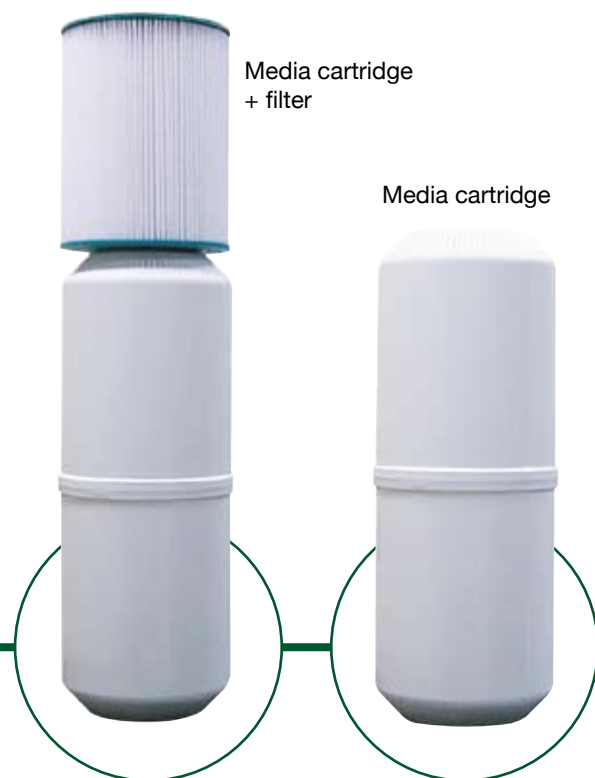
Maximum Pressure Drop : 20 kPa



Granular Media Cartridges

The granular media cartridges are able to house 12 litres of filter media and are designed to allow water to enter via the top of the cartridge and flow through the full height of the filter bed before exiting at the bottom of the cartridge.

TCF 75 and TCF 50 configurations



Aquabiome

Mechanical and Biological Filtration



Effective

Excellent Nitrification and Mechanical filtration.

Efficient

Hydraulically efficient filter design, balanced slotted laterals to maximize water flow and filtration.

Durable

Corrosion resistant and UV stabilised for outdoor installation.

Air-Backwash

Air assisted hydraulic backwash, saving time and water.

Superior Quality

Aquabiome fibreglass filters embody the latest in fibreglass winding technology.



4mm - 5mm
Biofilter Media

AQUABIOME SKID

Part Number	Product Description	Nominal Size
220008160	Aquabiome SM400 (Filter Only)	
220008165	Aquabiome SM400	
220008200	Aquabiome SM500 (Filter Only)	
220008205	Aquabiome SM500	
220008240	Aquabiome SM600 (Filter Only)	
220008245	Aquabiome SM600	
220008300	Aquabiome SM750 (Filter Only)	
220008305	Aquabiome SM750	
220008360	Aquabiome SM900 (Filter Only)	
220008365	Aquabiome SM900	

Specifications

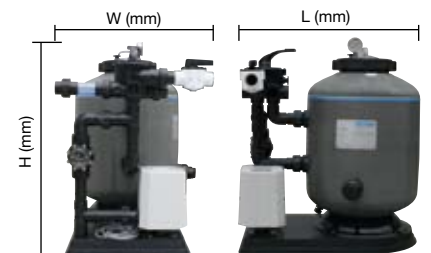
Aquabiome	ASM400	ASM500	ASM600	ASM750	ASM900
Nominal Diameter mm / inch	400 / 16	500 / 20	600 / 24	750 / 30	900 / 35
Filter Surface Area m ² / ft ²	0.13 / 1.4	0.2 / 2.1	0.3 / 3.2	0.44 / 4.9	0.64 / 7.15
Media Volume litres / gallons (US)	43 / 11.3	68 / 18	117 / 30.9	199 / 52.6	303 / 80
Media Weight kg / lbs	21.5 / 47.4	34 / 74.9	58.5 / 128.9	99.5 / 219.4	151.5 / 334
Biofilter Surface Area m ² / ft ²	47.3 / 509	74.8 / 805	128.7 / 1385	218.9 / 2356	333.3 / 3588
Inlet / Outlet Connections	40mm/ 50mm 1 1/2" (EU)	40mm/ 50mm 1 1/2" (EU)	40mm/ 50mm 1 1/2" (EU)	50mm / 63mm 2" (EU)	50mm / 63mm 2" (EU)
Min - Max Flow Rate					
lpm	52 - 101	80 - 157	120 - 226	180 - 353	255 - 509
m ³ /hr	3.1 - 6.1	4.8 - 9.4	7.2 - 13.5	10.8 - 21.2	15.3 - 30.5
gpm (US gallon per min)	13.7 - 26.7	21.1 - 41.5	31.7 - 59.7	47.6 - 93.3	67.4 - 134.5
Max Pond Size litres / gallons (US)	13,000 / 3,434	20,000 / 5,300	36,000 / 9,500	60,000 / 15,900	90,000 / 24000
Feed Rate kg / lbs per day	0.32 / 0.71	0.5 / 1.1	0.9 / 1.98	1.5 / 3.31	2.4 / 5.29
Total Ornamental Fish weight* kg / lbs	10.7 / 23.6	16.7 / 36.8	30 / 66.1	50 / 110.2	80 / 176.4
Total Aquaculture Fish weight* kg / lbs	32 / 70.5	50 / 110.2	90 / 198	150 / 330.7	240 / 529
Tank Diameter mm / inch	421 / 16.5"	520 / 20.5"	622 / 24.5"	772 / 30.4"	923 / 36.3"
Overall Height mm / inch	856 / 33.7"	815 / 32.1"	880 / 34.6"	993 / 39.1"	1115 / 43.9"
Valve Size mm / inch	40 / 1 1/2"	40 / 1 1/2"	40 / 1 1/2"	50 / 2"	50 / 2"
Bed Depth mm / inch	290 / 11.4"	290 / 11.4"	360 / 14.2"	400 / 15.7"	440 / 17.3"

* Maximum fish stocking weight depends on the percentage of body weight fed daily.

- Ornamental fish weight based on feeding rate of 3% of body weight.
- Aquaculture fish weight based on feeding rate of 1% of body weight.

Dimensions (mm)

Aquabiome	L (mm)	W (mm)	H (mm)
SM400	815	650	886
SM500	815	650	875
SM600	1040	650	925
SM750	1325	830	985
SM900	1328	930	1110



AQUABIOME MEDIA

Part Number	Product Description	Nominal Size
3532550	Aquabiome media (25kg / 50L bag)	per kg

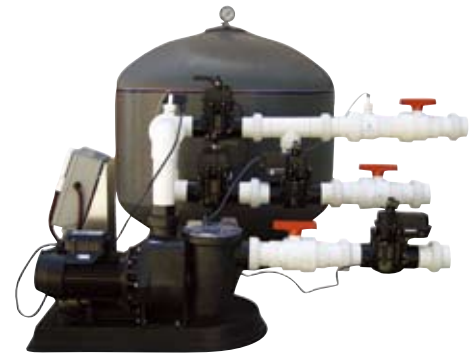
Commandomatic Filtration Skid

Automated Sidestream Filtration

COMMANDOMATIC FILTRATION SKID

Part Number	Product Description	Fitted with Standard Pump	Flow Rate 36m ³ /hr/m ²
37825000	FSM 500	Supatuf 75	118
37826000	FSM 600	Supatuf 100	170
37827500	FSM 750	Supatuf 150	265
37829000	FSM 900	Supatuf 200	382

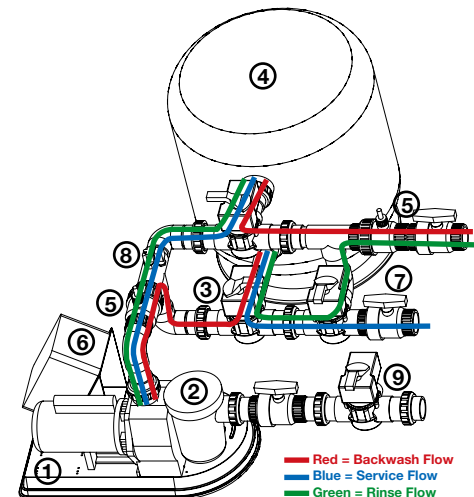
Part Number	Product Description		
37815000	FSM 500	Hydrostorm 100	118
37816000	FSM 600	Hydrostorm 125	170
37817500	FSM 750	Hydrostorm 150	265
37819000	FSM 900	Hydrostorm 250	382



The Commandomatic plants are automated pre-packaged plants, which continuously draw a percentage of water from the water circuit, filter out the sediment particles in suspension and return the filtered water back to the water circuit.

The Commandomatic Filtration Skid is automated to initiate a backwash at predetermined time intervals or by receiving a signal from an optional pressure differential switch.

1	Base	Light weight ABS Skid	5	Flow Switch	Waterco Flow Switch
2	Pump	Supatuf / Hydrostorm	6	Controls	Commandomatic Control Cubicle
	Piping	Class 12 UPVC 50mm	7	Optional	3 Way Rinse Valve & Actuator
3	Control Valves	3 Way Valves & Actuators	8	Optional	Pressure Switch
4	Filter Vessel	Micron Fibreglass Filter	9	Optional	Freshwater Backwash Valve
	Filter Media	Sand (0.6mm to 1.2mm)			



OPTIONAL FEATURES

Part Number	Product Description	Nominal Size
37801030	Pressure Switch 50 - 350 kPa	
37801054	Backwash Valve - FSM500, FSM600	40mm
3780105	Backwash Valve - FSM750, FSM900	50mm
37801044	Rinse Valve	40mm
3780104	Rinse Valve	50mm

A. Differential Pressure Switch

The backwash cycle is initiated once the predetermined differential pressure is reached. The installation of a Differential Pressure Switch guarantees protection of the Commandomatic Skid.

B. Freshwater Backwash Facility

A water storage tank is connected to the building's water supply and then connected to the Filtration Skid via an additional control valve. The Filtration Skid is backwashed with the mains water, preventing the wastage of water treatment chemicals and interruptions in the chemical balance of the treated water.

Commandomatic

Filters, Softeners & Purifiers



COMMANDOMATIC HOUSEHOLD WATER SOFTENERS & FILTERS

- Softeners - reduction of hardness.
- Purifier / Softeners - reduction of hardness and organic chemicals.
- Mixed Bed Filters - reduction of sediment from water.
- Carbon Filters - reduction of taste / odour, chlorine and organic chemicals.

Commandomatic Solutions

Discuss your individual water treatment requirements with Waterco Commandomatic or their authorised dealers to ensure the best configuration for your home.

RECOMMENDED UNIT		SOFTENER		PURIFIER/SOFTENER		SEDIMENT FILTER		CARBON FILTER	
Number of persons in Household ♣		1 - 6	7-9	1 - 6	7-9	1 - 6	7 - 9	1 - 6	7 - 9
Commandomatic Model :		W7(A)	S14(A)	WPS4(A)	WPS9(A)	MB6 (A)	FS40 (A)	CF6 (A)	CU40 (A)
TYPICAL SYMPTOMS	PROBLEM								
Hard Water									
Soap will not lather	Hardness	●●● ¹	●●● ¹	●●● ¹	●●● ¹				
White scale build up	Hardness	●●● ¹	●●● ¹	●●● ¹	●●● ¹				
Glassware streaked	Hardness	●●● ¹	●●● ¹	●●● ¹	●●● ¹				
Dirty Water									
Dirt / rust setting out	Sediment					●●●	●●●	○	○
Sludge / clay setting	Mud					●●●	●●●		
Green Organic matter	Algae					●●●	●●●		
Suspended matter	Colloidal clay	Clarification on Application							
Orange/Brown	Iron ★	○ ²	○ ²	○ ²	○ ²	○ ²	○ ²		
Green stains on fittings	Copper	●●●	●●●	●●●	●●●			○	○
Discoloured water	Organic colour			●●	●●				
Taste and Odour									
Smell of chlorine	Chlorine			○ ³	○ ³			●●●	●●●
Rotten vegetables smells	Odor			○	○			●●●	●●●
Rotten egg smell	Hydrogen Sulphide							○	○
Salty to taste	Salty / Brackish	Reverse Osmosis							
Other									
Not readily detectable	Fluoride				○	○			
Requires analysis	Nitrat				○	○			

- Excellent performance
- Good Performance
- Fair Performance

♣ Washing machines, dishwashing machines, spa baths - each count as one person.

1. Based on 143 mg/L hardness for softeners, Purifiers/Softeners.
2. Water softener satisfactory to 0.3mg/L
3. Water Purifier/Softener satisfactory to 0.1ppm

This chart has been prepared as a guide based on municipal water supplies. These products are not designed for the removal of micro-organisms and some may result in the accumulation of them in certain circumstances. Therefore, for drinking water, it is important that they are used on microbiologically safe water and that flushing and maintenance protocols are strictly adhered to.

Commandomatic Filters, Softeners & Purifiers

COMMANDOMATIC WATER SOFTENERS

Fully Self-Contained water softeners with special media bed regeneration with water - softening regenerant - course salt.

Part Number	Product Description
3778341	W7 Semi Automatic Softener
37783421	W7A Fully Automatic Softener
37783431	W7V Volumatic Softener
3771913	S14 Semi Automatic Softener
37719141	S14A Fully Automatic Softener
37783511	S14 Volumatic Softener



COMMANDOMATIC SOFTENERS / PURIFIERS

Fully Self-Contained water purifier softener combinations with mixed media bed regeneration with water softening - course salt.

Part Number	Product Description
3778344	WPS4 Semi Automatic Purifier/Softener
37783451	WPS4A Fully Automatic Purifier/Softener
37783461	WPS4 Volumatic Purifier/Softener
3771925	PS9 Semi Automatic Purifier/Softener
37719261	PS9A Fully Automatic Purifier/Softener
37783521	PS9 Volumatic Purifier/Softener

Specifications

Unit Model No.	Water Softeners		Water Softener / Purifiers	
	W7	S14	WPS4	PS9
Capacity*	7,000 litres	14,000 litres	4,500 litres	9,000 litres
Regeneration time	60 mins	80 mins	60 mins	80 mins
Pipe Connections				
Inlet / Outlet	15mm	25mm	15mm	25mm
Drain	13mm	13mm	13mm	13mm
Flow Rates				
Normal	27 L/min	40 L/min	27 L/min	40 L/min
Brine	2.7 L/min	6.4 L/min	2.7 L/min	6.4 L/min
Rinse	1.9 L/min	4.2 L/min	1.9 L/min	4.2 L/min
Operating Pressure	275-825 kPa	275-825 kPa	275-825 kPa	275-825 kPa
Dimensions				
Height	920mm	1030mm	920mm	1030mm
Width	460mm	395mm	460mm	395mm

* Based on 143 mg/L hardness

Semi Automatic Timer

For Semi-Automatic Regeneration simply turn the Timer's dial to the required duration. The unit will then initiate regeneration and upon completion, automatically return to normal operation.



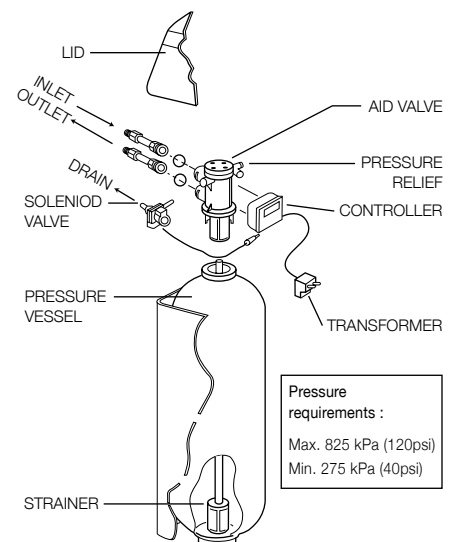
Calendar Timer (no flow meter)

The unit keeps track of the length of time since the last regeneration and automatically regenerates the softener, once the programmed calendar setting has been reached.



Volumatic (with flow meter)

The unit and keeps track of how much water has been softened since the last regeneration and automatically regenerates the softener, once the remaining capacity is less than the daily reserve capacity.



Commandomatic

Filters, Softeners & Purifiers



W300 SOFTENER

Part Number	Product Description	Nominal Size
37783530	W300 Softener	

Specifications

Unit Model No.	W300	
Capacity	17,200 litres	
Regeneration time	According to program (50 or 70 mins)	
Pipe Connections		
Inlet / Outlet	3/4 inch	
Drain	3/4 inch	
Flow Rates		
Normal	54 L/min	
Brine	1.9 L/min	
Rinse	Depends on mains pressure	
Operating Pressure	138-700 kPa	
Dimensions		
Height	1320mm	
Width	775mm	



COMMANDOMATIC SEDIMENT FILTERS

Fully self-contained water filter with special mixed media which is backwashable - does not need regeneration.

Part Number	Product Description
3768347	MB6 Semi Automatic Filter
37683481	MB6A Fully Automatic Filter
3761945	FS40 Semi Automatic Filter
37619461	FS40A Fully Automatic Filter

Semi Automatic Timer

For Semi-Automatic Regeneration simply turn the timer's dial to the required duration. The unit will then initiate regeneration and upon completion, automatically return to normal operation.



Calendar Timer (no flow meter)

The unit keeps track of the length of time since the last regeneration and automatically regenerates the softener, once the programmed calendar setting has been reached.



Volumatic (with flow meter)

The unit keeps track of how much water has been softened since the last regeneration and automatically regenerates the softener, once the remaining capacity is less than the daily reserve capacity.

COMMANDOMATIC CARBON PURIFIERS

Fully self-contained water purifier with special carbon media which is backwashable - does not need regeneration.

Part Number	Product Description
3768349	CF6 Semi Automatic Carbon Purifier
37683501	CF6A Fully Automatic Carbon Purifier
3761955	CU40 Semi Automatic Carbon Purifier
37619561	CU40A Fully Automatic Carbon Purifier

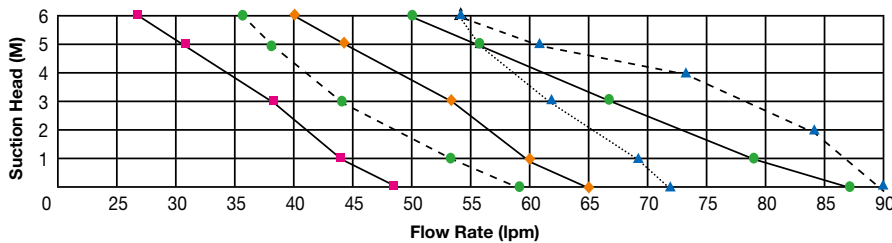
Specifications

Unit Model No.	MB6	FS40
Pipe Connections		
Inlet / Outlet	15mm	25mm
Drain	13mm	13mm
Flow Rates		
Normal	27 L/min	40 L/min
Backwash	14 L/min	18 L/min
Operating Pressure	210 - 825 kPa	210 - 825 kPa
Dimensions		
Height	865mm	1040mm
Vessel Height	494mm	634mm
Width	295mm	395mm
Depth	240mm	340mm
Bed Depth	400mm	510mm
Weight Packed	29kg	52kg

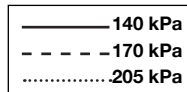
FINSBURY WATER PRESSURE SYSTEMS

Part Number	Product Description	Impellor	Input HP	Max. Flow
242100	Finsbury Mainsflo 48 with auto control	Closed	0.5	48 lpm
242110	Finsbury Mainsflo 65 with auto control	Closed	0.75	65 lpm
242120	Finsbury Mainsflo 87 with auto control	Closed	1.25	87 lpm
242130	Finsbury Mainsflo 90 with auto control	Closed	1.5	90 lpm

Mainsflo Flow Chart



- **Mainsflo 48** - Up to 5 outlets: 2 adults, 2 children, 1 washing machine.
- ◆ **Mainsflo 65** - Up to 7 outlets: 2 adults, 2 children, 1 sprinkler, 1 washing machine, 1 dishwasher.
- **Mainsflo 87** - Up to 9 outlets: 2 adults, 3 children, 2 sprinklers, 1 washing machine, 1 dishwasher. Suitable for 2 storey houses.
- ▲ **Mainsflo 90** - Up to 10 outlets: 2 adults, 4 children, 2 sprinklers, 1 washing machine, 1 dishwasher. Suitable for 2 storey houses.

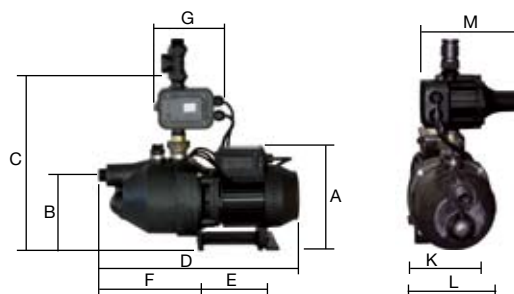


Specifications

Model	Max. Output (lpm)	Max. Total Head (m)	Output (kW)	Amp.	Volts	Cycle	Max. Pump Body Pressure (kPa)
Mainsflo 48	48	40	0.300	2.6	240	50	1340
Mainsflo 65	65	42	0.370	2.8	240	50	1340
Mainsflo 87	87	40	0.550	4	240	50	1340
Mainsflo 90	97	44	0.750	5	240	50	1340

Dimension (mm)

A	B	C	D	E
245	220	415	420	155
F	G	K	L	M
270	160	150	190	225



Finsbury Mainsflo Pumps provide convenient and reliable automatically-controlled water pressure throughout your entire home.

- Maintain constant water pressure from every tap
- Eliminate temperature fluctuations
- Energy efficient design
- Simple to operate and maintain
- Compact and easy to install

Warranty

Finsbury Mainsflo Pumps are covered by a 12 month warranty against faulty materials and workmanship.

SEPARATE PRESSURE PACKS

Part Number	Product Description	Nominal Size
249501	Finsbury Pressure Pack with Tee	1 litre
2495051	Finsbury Pressure Pack with Tee	2.75 litre
2495062	Finsbury Pressure Pack with Tee	4 litre

Specifications

Pressure Pack (litres)	Height of Pressure Pack (mm)	Diameter of Pressure Pack (mm)	Height to centre of T (mm)
1	320	215	40
2.75	340	275	30
4	470	275	25



Finsbury Pressure Pack