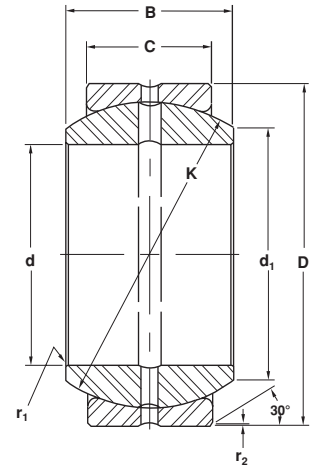
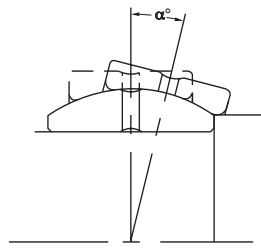


Spherical Plain Bearings

Radial - Inch



Series B--L

Part Number		d Inside Diameter			D Outside Diameter			B Inner Ring Width +0.000 -0.005	C Outer Ring Width +0.000 -0.005	K Sphere Dia. (REF)	Unmounted Diametral Clearance	d ₁ Shaft Shoulder Dia.	α Tilt Angle (deg)
Open	Sealed	Nom.	Max.	Min.	Nom.	Max.	Min.						
B8-L	—	1/2	0.5000	0.4995	7/8	0.8750	0.8745	0.437	0.375	0.719	0.002/0.006	0.563	14
B10-L	—	5/8	0.6250	0.6245	1 1/16	1.0625	1.0620	0.547	0.469	0.899	0.002/0.006	0.703	14
B12-L	B12-LSS	3/4	0.7500	0.7495	1 1/4	1.2500	1.2495	0.656	0.562	1.080	0.003/0.007	0.844	14
B14-L	B14-LSS	7/8	0.8750	0.8745	1 7/16	1.4375	1.4370	0.765	0.656	1.258	0.003/0.007	0.984	14
B16-L	B16-LSS	1	1.0000	0.9995	1 5/8	1.6250	1.6245	0.875	0.750	1.437	0.003/0.007	1.125	13
B20-L	B20-LSS	1 1/4	1.2500	1.2495	2	2.0000	1.9995	1.093	0.937	1.795	0.003/0.007	1.406	13
B22-L	B22-LSS	1 3/8	1.3750	1.3745	2 3/16	2.1875	2.1869	1.187	1.031	1.937	0.003/0.007	1.516	13
B24-L	B24-LSS	1 1/2	1.5000	1.4995	2 7/16	2.4375	2.4369	1.312	1.125	2.155	0.003/0.007	1.703	13
B28-L	B28-LSS	1 3/4	1.7500	1.7495	2 13/16	2.8125	2.8119	1.531	1.312	2.515	0.003/0.007	1.984	13
B32-L	B32-LSS	2	2.0000	1.9995	3 3/16	3.1875	3.1869	1.750	1.500	2.875	0.003/0.007	2.266	12
B36-L	B36-LSS	2 1/4	2.2500	2.2494	3 9/16	3.5625	3.5617	1.969	1.687	3.235	0.004/0.008	2.563	12
B40-L	B40-LSS	2 1/2	2.5000	2.4994	3 15/16	3.9375	3.9367	2.187	1.875	3.590	0.004/0.008	2.844	12
B44-L	B44-LSS	2 3/4	2.7500	2.7494	4 3/8	4.3750	4.3742	2.406	2.062	3.950	0.004/0.008	3.125	12
B48-L	B48-LSS	3	3.0000	2.9994	4 3/4	4.7500	4.7492	2.625	2.250	4.312	0.004/0.008	3.406	12
B52-L	B52-LSS	3 1/4	3.2500	3.2492	5 1/8	5.1250	5.1240	2.844	2.437	4.675	0.005/0.009	3.703	12
B56-L	B56-LSS	3 1/2	3.5000	3.4992	5 1/2	5.5000	5.4990	3.062	2.625	5.040	0.005/0.009	4.000	11
B60-L	B60-LSS	3 3/4	3.7500	3.7492	5 7/8	5.8750	5.8740	3.281	2.812	5.390	0.005/0.009	4.266	11
B64-L	B64-LSS	4	4.0000	3.9992	6 1/4	6.2500	6.2490	3.500	3.000	5.750	0.005/0.009	4.563	11
B72-9L	B72-9LSS	4 1/2	4.5000	4.4992	7	7.0000	6.9990	3.937	3.375	6.475	0.005/0.009	5.125	7
B80-9L	B80-9LSS	5	5.0000	4.9990	7 3/4	7.7500	7.7488	4.375	3.750	7.190	0.005/0.009	5.703	7
B96-9L	B96-9LSS	6	6.0000	5.9990	8 3/4	8.7500	8.7488	4.750	4.125	8.156	0.005/0.009	6.625	7
B104-9L	B104-9LSS	6 1/2	6.5000	6.4990	9 3/4	9.7500	9.7488	4.875	4.062	8.775	0.007/0.012	7.293	7
B112-9L	B112-9LSS	7	7.0000	6.9990	10 1/2	10.5000	10.4986	5.250	4.375	9.450	0.007/0.012	7.854	7
B120-9L	B120-9LSS	7 1/2	7.5000	7.4988	11 1/4	11.2500	11.2486	5.625	4.687	10.125	0.007/0.012	8.415	7
B128-9L	B128-9LSS	8	8.0000	7.9988	12	12.0000	11.9986	6.000	5.000	10.800	0.007/0.012	8.976	7
B136-9L	B136-9LSS	8 1/2	8.5000	8.4988	12 3/4	12.7500	12.7484	6.375	5.312	11.475	0.008/0.013	9.537	7
B144-9L	B144-9LSS	9	9.0000	8.9988	13 1/2	13.5000	13.4984	6.750	5.625	12.150	0.008/0.013	10.098	7
B152-9L	B152-9LSS	9 1/2	9.5000	9.4988	14 1/4	14.2500	14.2484	7.125	5.937	12.825	0.008/0.013	10.659	7
B160-9L	B160-9LSS	10	10.000	9.9986	15	15.0000	14.9984	7.500	6.250	13.500	0.008/0.013	11.220	7
B168-9L	B168-9LSS	10 1/2	10.500	10.4986	15 3/4	15.7500	15.7482	7.875	6.562	14.175	0.009/0.014	11.781	7
B176-9L	B176-9LSS	11	11.000	10.9986	16 1/2	16.5000	16.4982	8.250	6.875	14.850	0.009/0.014	12.342	7
B184-9L	B184-9LSS	11 1/2	11.500	11.4986	17 1/4	17.2500	17.2482	8.625	7.187	15.525	0.009/0.014	12.903	7
B192-9L	B192-9LSS	12	12.000	11.9986	18	18.0000	17.9982	9.000	7.500	16.200	0.009/0.014	13.464	7

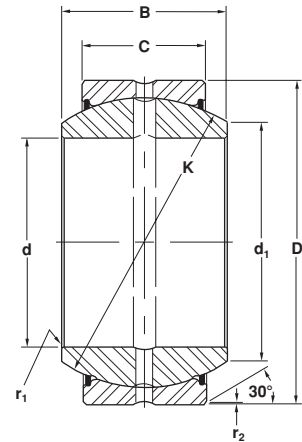
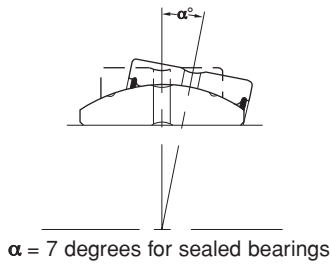
All dimensions are in inches.

Outer rings of bearings size 72 and above are double fractured (suffix-9L).

Bore dimensions apply after MoS₂ coating. All other dimensions are before coating.

Spherical Plain Bearings

Radial - Inch



Series B--LSS

	r ₁ Shaft Fillet Max.	r ₂ Hsg. Fillet Max.	Approx. Weight (lb)	Recommended Load Limits ^②			Recommended Shaft Diameter				Recommended Housing Bore ^③		Basic Part Number
				Static Radial (lbf)	Static Thrust (lbf)	Dynamic Radial (lbf)	ISO f6 (Slip Fit)		ISO m5 (Press Fit)		ISO R7 (Press Fit)		
							Max.	Min.	Max.	Min.	Max.	Min.	
	0.015	0.022	0.044	9,400	1,400	2,300	0.4994	0.4989	0.5006	0.5003	0.8742	0.8734	-8
	0.015	0.032	0.079	14,700	2,500	3,600	0.6244	0.6239	0.6256	0.6253	1.0617	1.0609	-10
	0.022	0.032 ^④	0.126	21,200	3,900	5,300	0.7492	0.7487	0.7507	0.7503	1.2490	1.2480	-12
	0.022	0.032 ^④	0.193	28,800	5,400	7,200	0.8742	0.8737	0.8757	0.8753	1.4365	1.4355	-14
	0.022	0.032 ^④	0.276	37,700	7,300	9,400	0.9992	0.9987	1.0007	1.0003	1.6240	1.6230	-16
	0.022	0.032	0.516	58,800	11,900	14,700	1.2490	1.2484	1.2508	1.2504	1.9988	1.9976	-20
	0.022	0.032	0.770	69,800	13,500	17,400	1.3740	1.3734	1.3758	1.3754	2.1863	2.1851	-22
	0.022	0.032	0.934	84,800	16,600	21,200	1.4990	1.4984	1.5008	1.5004	2.4363	2.4351	-24
	0.022	0.032	1.430	115,400	23,600	28,800	1.7490	1.7484	1.7508	1.7504	2.8113	2.8101	-28
	0.022	0.032	2.070	150,900	31,900	37,700	1.9988	1.9981	2.0010	2.0005	3.1860	3.1846	-32
	0.022	0.032	2.920	191,000	42,000	47,700	2.2488	2.2481	2.2510	2.2505	3.5610	3.5596	-36
	0.022	0.032	4.090	235,500	52,900	58,800	2.4988	2.4981	2.5010	2.5005	3.9359	3.9345	-40
	0.022	0.032	5.380	285,000	62,600	71,200	2.7488	2.7481	2.7510	2.7505	4.3734	4.3720	-44
	0.022	0.032	6.870	339,500	76,300	84,800	2.9988	2.9981	3.0010	3.0005	4.7481	4.7465	-48
	0.022	0.032	8.630	398,700	91,500	99,600	3.2486	3.2477	3.2511	3.2505	5.1231	5.1215	-52
	0.022	0.032	10.650	463,000	109,200	115,700	3.4986	3.4977	3.5011	3.5005	5.4981	5.4965	-56
	0.022	0.032	12.950	530,400	126,100	132,600	3.7486	3.7477	3.7511	3.7505	5.8731	5.8715	-60
	0.022	0.032	15.590	603,700	144,500	150,900	3.9986	3.9977	4.0011	4.0005	6.2481	6.2465	-64
	0.032	0.044	21.920	764,800	290,400	191,200	4.4986	4.4977	4.5011	4.5005	6.9979	6.9963	-72
	0.032	0.044	29.710	943,600	360,900	235,900	4.9983	4.9973	5.0013	5.0006	7.7476	7.7458	-80
	0.032	0.044	38.770	1,177,000	387,600	294,200	5.9983	5.9973	6.0013	6.0006	8.7475	8.7457	-96
	0.080	0.080	50.360	1,247,000	299,700	311,700	6.4983	6.4973	6.5013	6.5006	9.7474	9.7456	-104
	0.080	0.080	62.910	1,447,000	431,100	361,700	6.9983	6.9973	7.0013	7.0006	10.4971	10.4950	-112
	0.080	0.080	77.370	1,660,000	506,500	415,000	7.4980	7.4969	7.5015	7.5007	11.2470	11.2449	-120
	0.080	0.080	93.910	1,890,000	582,400	472,500	7.9980	7.9969	8.0015	8.0007	11.9970	11.9949	-128
	0.080	0.080	112.600	2,133,000	663,500	533,200	8.4980	8.4969	8.5015	8.5007	12.7465	12.7443	-136
	0.080	0.080	133.700	2,392,000	749,900	598,000	8.9980	8.9969	9.0015	9.0007	13.4965	13.4943	-144
	0.080	0.080	157.200	2,664,000	841,500	666,000	9.4980	9.4969	9.5015	9.5007	14.2463	14.2441	-152
	0.080	0.080	183.400	2,953,000	938,500	738,200	9.9978	9.9965	10.0017	10.0008	14.9963	14.9941	-160
	0.080	0.080	212.300	3,255,000	1,047,000	813,700	10.4978	10.4965	10.5017	10.5008	15.7459	15.7435	-168
	0.080	0.080	244.000	3,573,000	1,184,000	893,200	10.9978	10.9965	11.0017	11.0008	16.4959	16.4935	-176
	0.080	0.080	279.000	3,905,000	1,299,000	976,200	11.4978	11.4965	11.5017	11.5008	17.2459	17.2435	-184
	0.080	0.080	317.000	4,252,000	1,422,000	1,063,000	11.9978	11.9965	12.0017	12.0008	17.9957	17.9932	-192

- ① Applies only to bearings without seals. Use 7 degrees for sealed bearing.
- ② Ultimate static and impact loads should not exceed 150% of catalog ratings.
- ③ See technical section for alternate housing diameter recommendations.
- ④ Housing fillet r₂=0.015" for bearings with seals.