

BERGER LAHR

RSM 51/6 F G

230 V

50/60 Hz

C=

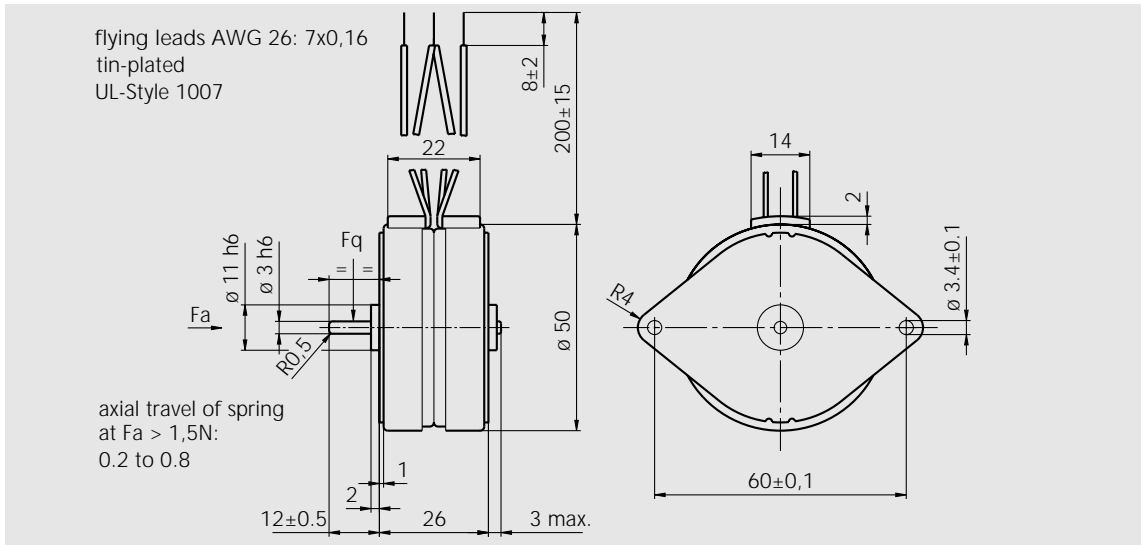
0,15 μ F

500/600

U/min

11445202600

07.10.08



Scale drawing RSM 51/6

Technical Data

	Frequency 50 Hz 500 rpm	60 Hz
Speed	500 rpm	600 rpm
Synchronous torque	3.8 Ncm	3.25 Ncm
Delivery of power	2 W	2 W
Power consumption	4.9 W	5.4 W
Rated current (230 V)	21 mA	23 mA
Operating capacitor	0.15 µF	0.15 µF
Maximum externally permitted mass moment of inertia	60 gcm ²	40 gcm ²
Self-holding torque, type	0.8 Ncm	0.8 Ncm
Excess winding temperature	55 K	63 K
Permitted radial stress F _q	5 N	5 N
Permitted axial stress F _a	2 N	2 N
Weight	0.2 kg	0.2 kg
Protection grade	IP 41 to DIN EN 60529	IP 41
Insulation class	E to DIN EN 60034-1	E
Dielectric strength	Momentary test, test voltage to DIN EN 60034-1	

Voltages

	110 V		42 V		24 V	
	50 Hz	60 Hz	50 Hz	60 Hz	50 Hz	60 Hz
Operating capacitor	0.56 µF	0.56 µF	4.7 µF	4.7 µF	16 µF	16 µF
Rated current	42.9 mA	47 mA	117 mA	128 mA	217 mA	238 mA

Gearbox combinations

You will find gearbox combinations from page 113.