



SOUTHERN CALIFORNIA HYDRAULIC ENGINEERING CORPORATION

Designer and Manufacturers of Hydraulic & Pneumatic Equipment

1130 COLUMBIA STREET, BREA, CALIFORNIA 92821 - (714) 257-4800 - FAX (714) 257-4810

500 SERIES PUMP LUBRICATED AND DRY LUBE APA VALVE AIR MOTOR ASSEMBLIES

A. LUBRICATED AIR MOTOR ASSEMBLY P/N 11-5113A000 (REFER TO ITEM 10A & 12A)

B. DRY LUBE AIR MOTOR ASSEMBLY P/N 11-5113ADL0 AND C10521(REFER TO ITEM 10B & 12B)

DOC. NO. 15147, REV. C, 9-20-12

PAGE 2 OF 4

ITEM NO	QTY	PART NO	DESCRIPTION	REFERENCE NO.
1	8	P10212-031	WASHER-LOCK	
2	1	11-5007A000	END	10-450-7
3	1	11-5181P000	CYLINDER-AIR	10-450-181
4	1	11-5048A000	PISTON-AIR	10-450-48
5	1	P11000-429	O-RING	12-6227N056
6	2	P11000-252	O-RING	12-6230N030
7	1	11-5047N000	BEARING ASSEMBLY	10-450-47
8	1	P11000-231	O-RING	12-6230N009
9	1	P11000-028	O-RING	12-8775N028
10A*	1	11-5178A000	APA VALVE ASSEMBLY (SEE PAGE 3)	10-450-178
10B*	1	11-5178ADL0	DRY LUBE APA VALVE ASSEMBLY (SEE PAGE 3)	10-450-178DL
11	1	11-5057P000	BUMPER	10-450-57
12A*	1	11-5005M000	SPRING (USE W/ITEM 10A, SEE PAGE 3)	10-450-5
12B*	1	11-5005M002	SPRING, RETURN (USE W/ITEM 10B, SEE PAGE 3)	
13	1	11-5060A000	PILOT VALVE ASSEMBLY	10-450-60
14	1	11-5112A000	HEAD	10-450-112
15	1	11-5012N000	BUMPER	10-450-12
16	1	P11000-214	O-RING	12-6227N019
17	16	P10214-031	WASHER-FLAT	
18	1	12-R262S000	RETAINING RING	RRT-262
19	1	P11000-223	O-RING	12-6230N001
20	8	P10231	BOLT-HEX	
21	1	12-R200S000	RETAINING RING	RRT-200
22	8	12-31CNFH1Z	NUT-HEX	
23	1	11-5172N000	PLUG	10-450-172
24	1	P10238	SET SCREW-HEX SOCKET	12-25C313CPSS

* ITEM 10A - LUBRICATED APA VALVE ASSEMBLY P/N 11-5178A000. SEE PAGE 3 FOR DETAILS.

ITEM NO	QTY	PART NO	DESCRIPTION	REFERENCE NO
10A.1	1	P11000-214	O-RING	
10A.2	1	11-5177A000	PISTON, APA VALVE	10-450-177
10A.3	1	11-5146A000	SLEEVE, APA VALVE	10-450-146
10A.4	4	P11000-144	O-RING	12-8775N144

* ITEM 10B - DRY LUBE APA VALVE ASSEMBLY P/N 11-5178ADL0 AND C10525. SEE PAGE 3 FOR DETAILS.

ITEM NO	QTY	PART NO	DESCRIPTION	REFERENCE NO
10B.1	1	P11000-214	O-RING	
10B.2	1	P10263-193	RETAINING RING	
10B.3	1	D10684	SEAL, DRY LUBE	
10B.4	1	P11000-135	O-RING	
10B.5	1	D10818	PISTON, APA	
10B.6	2	P11003-137	O-RING	
10B.7	1	D10264	SLEEVE, APA	
10B.8	4	P11000-144	O-RING	



SOUTHERN CALIFORNIA HYDRAULIC ENGINEERING CORPORATION
Designer and Manufacturers of Hydraulic & Pneumatic Equipment

1130 COLUMBIA STREET, BREA, CALIFORNIA 92821 - WWW.SCHYDRAULIC.COM

500 SERIES PUMP DRY LUBE AND LUBRICATED APA VALVE AIR MOTOR ASSEMBLIES

DOC NO. 15147
 REV. C 09-20-12 T.H.
 PAGE 3 OF 4

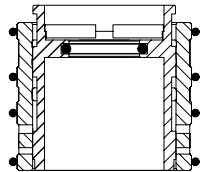


FIGURE 2. LUBRICATED APA VALVE ASSEMBLY
 P/N 11-5178A000

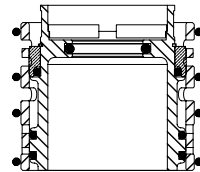


FIGURE 3. DRY LUBE APA VALVE ASSEMBLY
 NEW P/N 11-5178ADL0 AND C10525

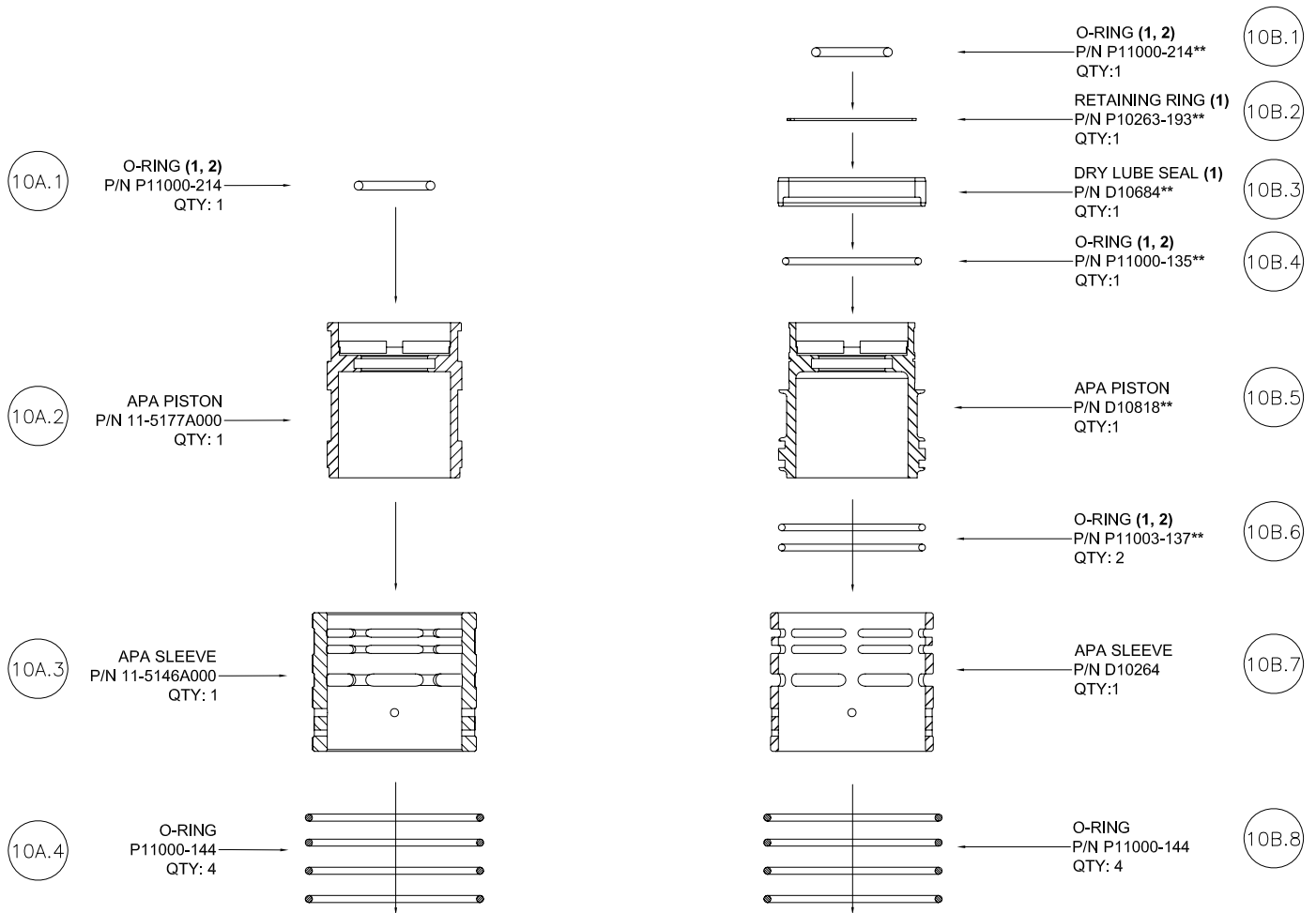


FIGURE 4. LUBRICATED APA VALVE PART CONFIGURATION.
 USE APA VALVE ASSEMBLY P/N 11-5178A000.
 USE APA VALVE RETURN SPRING P/N 11-5005M000.
 USE AIR MOTOR P/N 11-5113A000
REFER TO ITEMS 10A AND 12A

FIGURE 5. DRY LUBE APA VALVE PART CONFIGURATION.
 USE APA VALVE ASSEMBLY P/N 11-5178ADL0
 USE APA VALVE RETURN SPRING P/N 11-5005M002
 USE AIR MOTOR ASSEMBLY P/N 11-5113ADL0 AND C10521
 **PARTS INCLUDED IN APA PISTON ASSEMBLY P/N C10543
REFER TO ITEMS 10B AND 12B



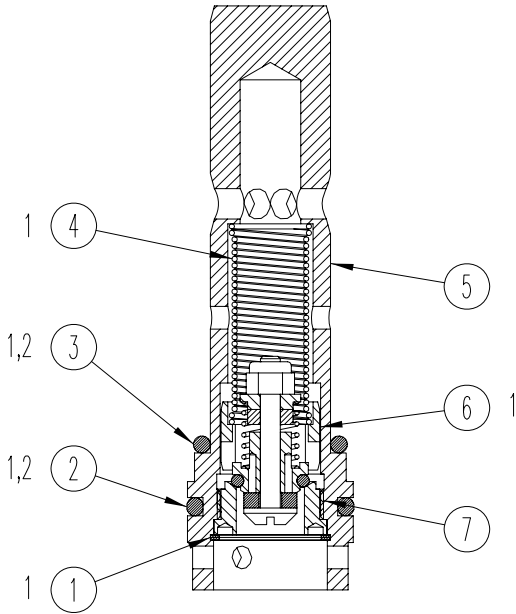
SOUTHERN CALIFORNIA HYDRAULIC ENGINEERING CORPORATION

Designer and Manufacturers of Hydraulic & Pneumatic Equipment

1130 COLUMBIA STREET, BREA, CALIFORNIA 92821 - WWW.SCHYDRAULIC.COM

500 SERIES PUMP LUBRICATED AND DRY LUBE APA VALVE AIR MOTOR ASSEMBLIES

DOC NO. 15147
REV. C 9-20-12 T.H.
PAGE 4 OF 4



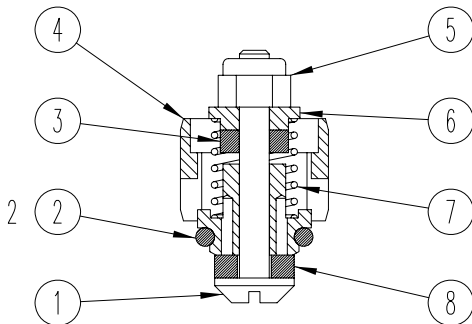
PILOT VALVE ASSEMBLY 11-5060A000

7	1	11-5024A403	SEAT	10-403-24
6	1	11-5032X403	AIR CHECK ASSY	10-403-32
5	1	11-5049A000	VALVE BODY	10-450-49
4	1	11-5016M000	SPRING	10-450-16
3	1	P11000-214	O-RING	12-6227N019
2	1	P11000-216	O-RING	12-6227N021
1	1	12-R093S000	RETAINING RING	RRT-93
ITEM NO.	QTY	PART NO.	DESCRIPTION	REF NO.

2. INCLUDED IN 11-5142N000 & R10103 AIR MOTOR PACKING SET

1. INCLUDED IN 11-5124N000 & R10102 AIR MOTOR REPAIR KIT

AIR CHECK ASSEMBLY 11-5032X403



8	1	11-5025N403	WASHER	10-403-25
7	1	11-5015M000	SPRING	10-450-15
6	1	11-5039S000	RETAINER	10-450-39
5	1	12-2104A4D08	NUT	
4	1	11-5171X000	VALVE BODY	10-450-171
3	1	11-5043N000	WASHER	10-450-43
2	1	P11000-111	O-RING	12-6227N009
1	1	11-5056A000	SCREW	10-450-56
ITEM NO.	QTY	PART NO.	DESCRIPTION	REF NO.