

SINGLE-PHASE MOTORS

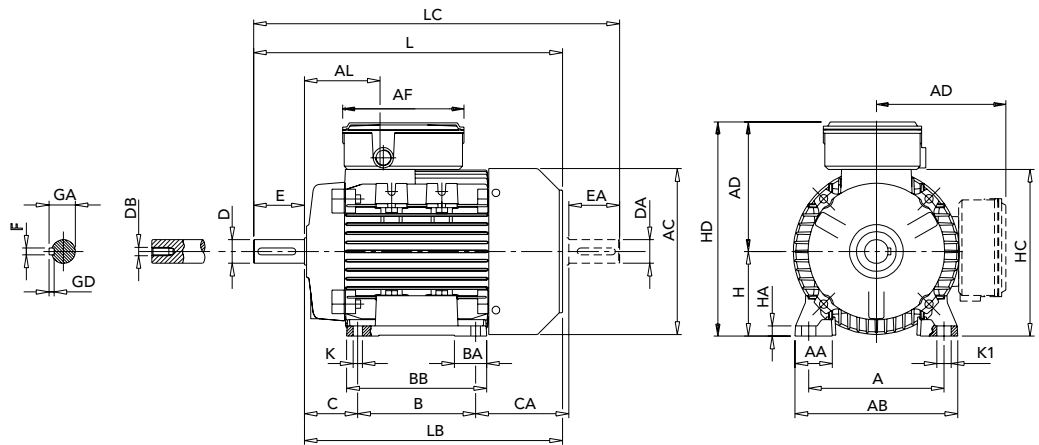
DESIGNED FOR RANGE
OF RATED VOLTAGE
220-240 V ± 5% - 50 HZ

FOR MAINS VOLTAGE
230 V - 50 HZ

Type	kW	HP	min ⁻¹	M _N Nm	η 100%	cos φ	I _N		I _A /I _N	M _A /M _N	M _K /M _N	J 10 ⁻³ kgm ²	kg	
							230V	220-240V						
3000 min⁻¹ (2 poles)														
AMM 56Z AA	2	0.12	0.16	2600	0.4	47	0.90	1.2	1.3	1.3	1.3	1.8	0.09	3
AMM 63Z AA	2	0.18	0.25	2710	0.6	58.5	0.98	1.2	1.3	3	1.2	1.8	0.14	5
AMM 63Z BA	2	0.25	0.33	2760	0.9	68.6	0.95	1.7	1.9	3.2	1	1.6	0.18	5.5
AMM 71Z AA	2	0.37	0.50	2780	1.3	57.6	0.89	3.1	3.3	3.1	0.8	1.9	0.41	7.1
AMM 71Z BA	2	0.55	0.75	2740	1.9	69	0.89	3.9	4.1	3.5	0.7	1.7	0.55	8.5
AMM 80Z AA	2	0.75	1	2800	2.6	65	0.95	5.3	5.5	4.1	0.6	2	1.05	11.4
AMM 80Z BA	2	1.1	1.5	2730	3.8	74	0.97	6.5	6.6	3.6	0.5	1.6	1.08	11.8
AMM 90S AA	2	1.1	1.5	2830	3.7	68	0.94	7.5	8	4	0.4	2	1.62	15.3
AMM 90L BA	2	1.5	2	2835	5.1	73	0.90	9.3	9.6	3.9	0.5	2.1	1.87	17.3
AMM 90L CA	2	1.8	2.5	2790	6.2	73	0.99	10.8	11.2	4	0.6	2	2.09	18.7
AMM 90L DA	2	2.2 ¹⁾	3 ¹⁾	2770	7.6	73	0.90	14.6	15.4	4.3	0.2	1.8	2.11	19.3
AMM 100L AA	2	2.2	3	2795	7.5	75	0.98	12.8	13.1	4.3	0.4	1.5	4.05	24.5
1500 min⁻¹ (4 poles)														
AMM 56Z AA	4	0.09	0.12	1340	0.6	45	0.89	1	1.1	1.9	0.5	1.2	0.14	3.5
AMM 63Z AA	4	0.12	0.16	1385	0.8	50	0.97	1	1.1	2.8	0.7	1.5	0.27	4.5
AMM 63Z BA	4	0.18	0.25	1280	1.3	50	0.97	1.6	1.7	2	0.8	1.2	0.34	4.9
AMM 71Z AA	4	0.25	0.33	1270	1.9	52.1	0.89	2.5	2.7	2.4	0.7	1.5	0.82	7.2
AMM 71Z BA	4	0.37	0.50	1370	2.6	62	0.88	2.8	3.1	2.9	0.8	1.2	1.08	8.5
AMM 80Z AA	4	0.37	0.50	1390	2.5	60	0.96	2.8	2.9	3.2	0.5	1.9	2	9.8
AMM 80Z BA	4	0.55	0.75	1390	3.8	67	0.88	4	4.2	3.2	0.5	1.8	2.41	11.3
AMM 80Z CA	4	0.75	1	1445	5.0	73	0.90	4.9	5.1	4.4	0.3	1.9	2.7	12.8
AMM 90L AA	4	1.1	1.5	1415	7.4	70	0.93	7.4	7.8	3.6	0.5	1.5	3.13	15.4
AMM 90L BA	4	1.5 ¹⁾	2 ¹⁾	1430	10.0	79	0.94	9	9.3	4.3	0.5	1.7	3.73	17.6
AMM 100L AA	4	1.8	2.5	1380	12.5	70	0.96	12	12.4	3.6	0.3	1.5	5.83	22.8
AMM 100L BA	4	2.2 ¹⁾	3 ¹⁾	1450	14.5	81	0.97	12.5	12.7	4.6	0.4	1.7	6	23.8
1000 min⁻¹ (6 poles)														
AMM 71Z AA	6	0.18	0.25	840	2.0	48.0	0.87	1.9	2	2.7	0.8	1.6	0.90	6.3
AMM 80Z AA	6	0.25	0.33	900	2.7	56	0.95	2.2	2.4	2.3	0.3	1.8	2	8.8
AMM 80Z BA	6	0.37	0.50	925	3.8	60	0.96	2.8	3	2.6	0.4	1.3	2.47	10
AMM 90L AA	6	0.55	0.75	950	5.5	72	0.95	3.4	3.5	3.4	0.4	1.2	5.2	16.5
AMM 90L BA	6	0.75	1	890	8.0	71	0.96	4.8	4.9	3.2	0.5	1.5	5.85	18
AMM 100L AA	6	1.1	1.5	950	11.1	69	0.96	7.1	7.7	2.9	0.2	1.3	6.73	19
AMM 100L BA	6	1.5 ¹⁾	2 ¹⁾	870	16.5	66	0.98	10	10.2	2.5	0.4	1.4	9.43	22.5

1) Temperature rise to class F

SINGLE-PHASE FRAME SIZE 56 - 100 IM B3

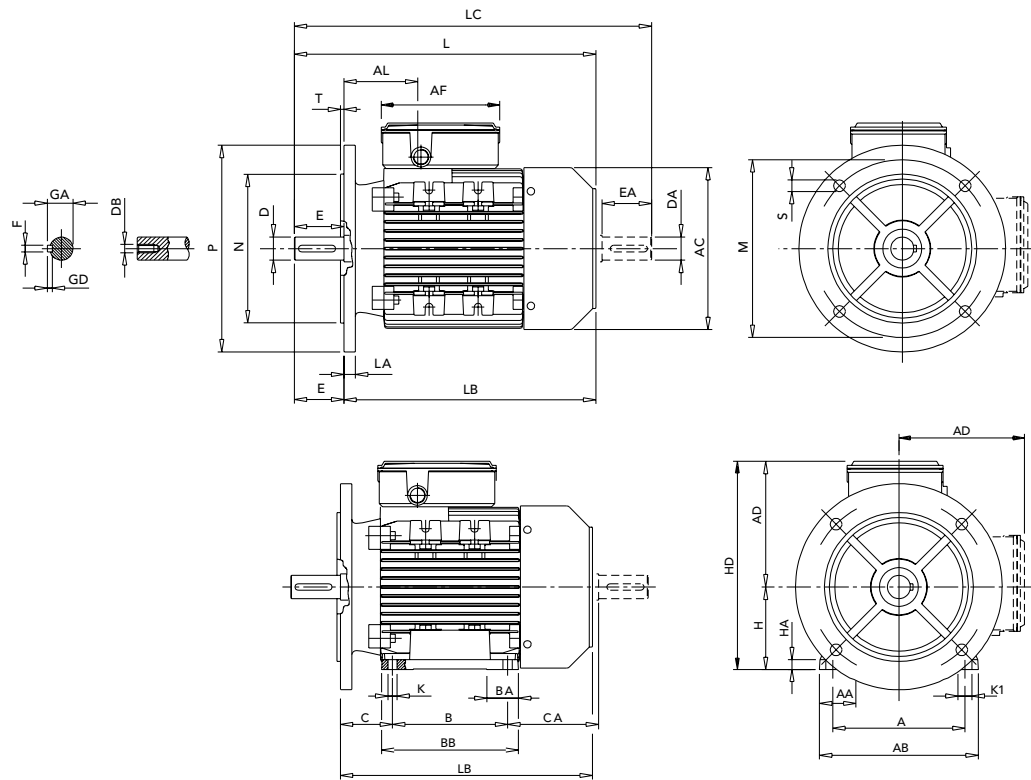


	IEC	H	A	B	C	K ¹⁾	AB	BB	CA	AD ²⁾	HD ²⁾	AC	HC	HA	K1
56	56	90	71	36	6	107	86	64	116	172	110	109	8	9	
63	63	100	80	40	7	120	100	72	120	183	124	120	8	11	
71	71	112	90	45	8	135	108	83	134	205	139	142	9	11	
80	80	125	100	50	10	153	125	89	150	230	160	162	9.5	14	
90S	90	140	100	56	10	170	150	116	160	250	180	181	11	15	
90L	90	140	125	56	10	170	150	91	160	250	180	181	11	15	
100	100	160	140	63	11	192	166	110	166	266	196	198	12	17	

	IEC	L	LB	LC	AL	AF	BA	AA	D/DA	E/EA	F/FA	GD	GA/GC	DB ³⁾
56	188	168	211	61	147	27	27	9 j6	20	3	3	10.2	M3	
63	211	188	238	63	147	29	30	11 j6	23	4	4	12.5	M4	
71	246	216	278	69	147	28	31	14 j6	30	5	5	16	M5	
80	272	232	319	79	173	28.5	34.5	19 j6	40	6	6	21.5	M6	
90S	317	267	372	85	173	28/53	37	24 j6	50	8	7	27	M8	
90L	317	267	372	85	173	28/53	37	24 j6	50	8	7	27	M8	
100	366	306	433	91	173	38	44	28 j6	60	8	7	31	M10	

- 1) Clearance hole for screw
- 2) Maximum dimension
- 3) Centering holes in shaft extensions to DIN 332 part 2

SINGLE-PHASE FRAME SIZE 56 - 100 IM B5, IM B35, IM V1



IEC	M	N	P	T	LA	S	H	A	B	C	K ¹⁾	CA	BB	AA	AB	BA
56	100	80	120	2.5	7	7	56	90	71	36	6	64	86	27	107	27
63	115	95	140	3	8	9.5	63	100	80	40	7	72	100	30	120	29
71	130	110	160	3.5	10	9.5	71	112	90	45	8	83	108	31	135	28
80	165	130	200	3.5	10	11.5	80	125	100	50	10	89	125	34.5	153	28.5
90S	165	130	200	3.5	12	11.5	90	140	100	56	10	116	150	37	170	28/53
90L	165	130	200	3.5	12	11.5	90	140	125	56	10	91	150	37	170	28/53
100	215	180	250	4	14	14	100	160	140	63	11	110	166	44	192	38

IEC	AD ²⁾	HD ²⁾	AC	HA	K1	L	LB	LC	AL	AF	D/DA	E/EA	F/FA	GD	GA/GC	DB ³⁾
56	116	172	110	8	9	188	168	211	61	147	9 j6	20	3	3	10.2	M3
63	120	183	124	8	11	211	188	238	63	147	11 j6	23	4	4	12.5	M4
71	134	205	139	9	11	246	216	278	69	147	14 j6	30	5	5	16	M5
80	150	230	160	9.5	14	272	232	319	79	173	19 j6	40	6	6	21.5	M6
90S	160	250	180	11	15	317	267	372	85	173	24 j6	50	8	7	27	M8
90L	160	250	180	11	15	317	267	372	85	173	24 j6	50	8	7	27	M8
100	166	266	196	12	17	366	306	433	91	173	28 j6	60	8	7	31	M10

1) Clearance hole for screw
 2) Maximum dimension
 3) Centering holes in shaft extensions to DIN 332 part 2