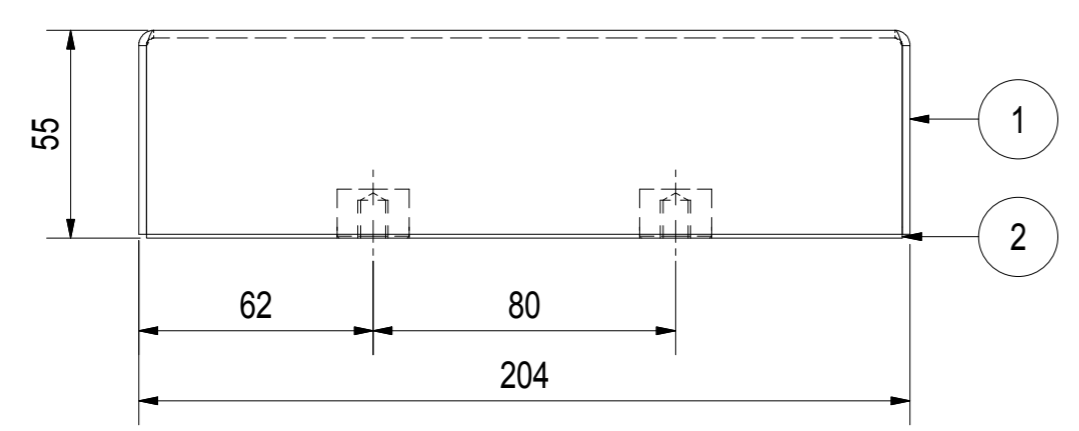
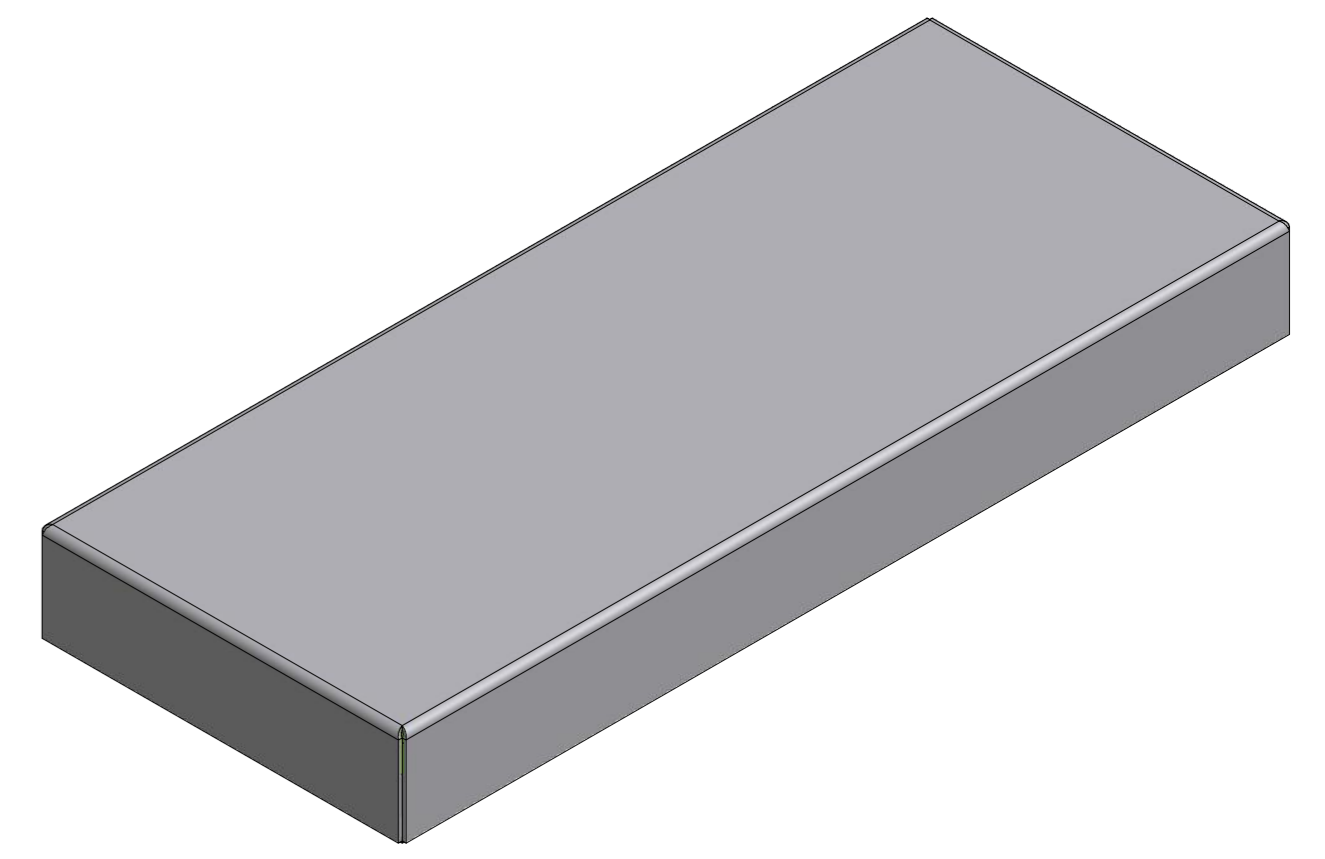
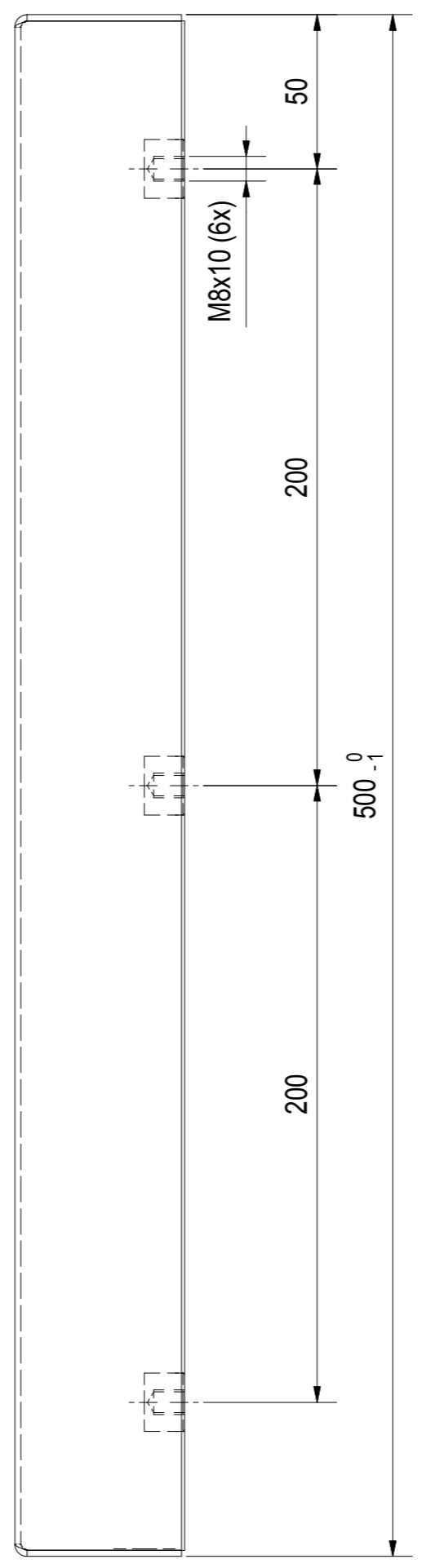
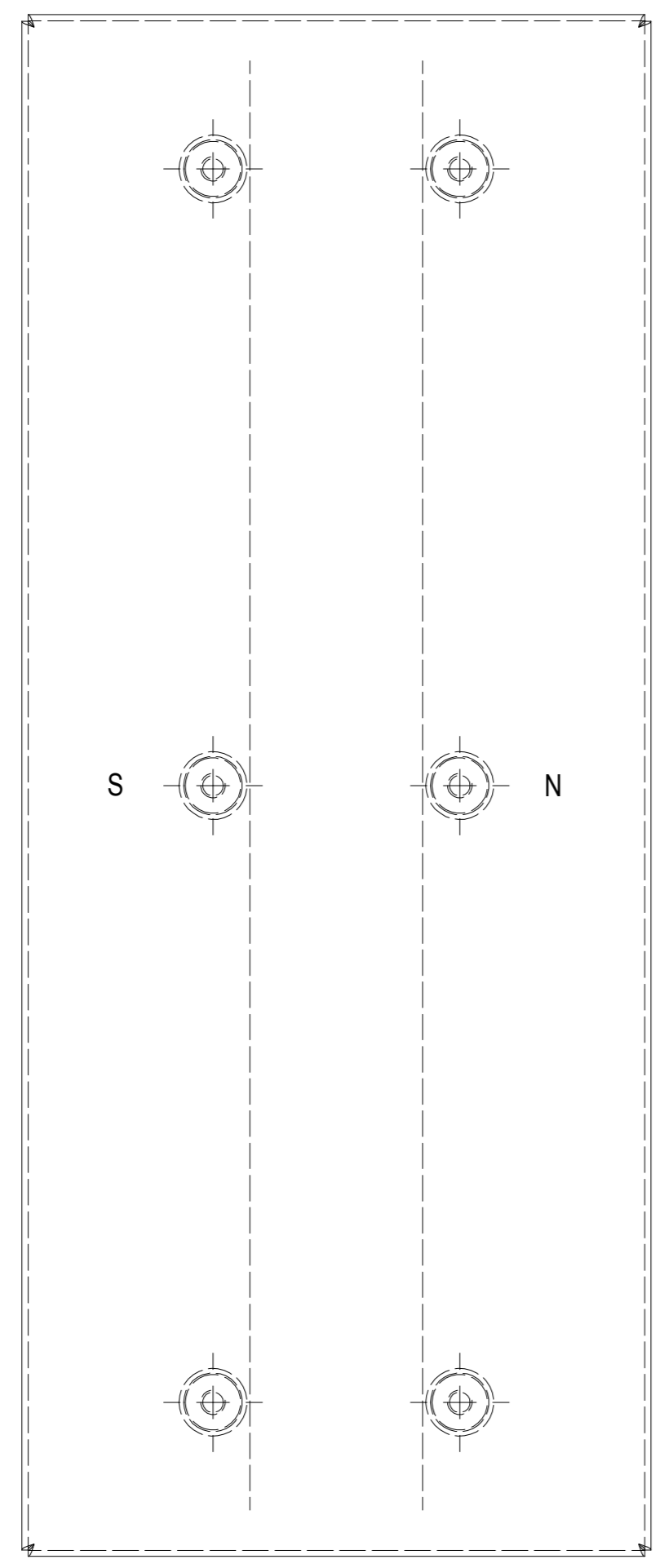


REV	DATE	BY	DESCRIPTION
A	31-3-2011	CR	REFERENCE DRAWING SVMN020100
B	04-04-2011	CR	DRAWN IN 3D



COMPLETE SANITARY WELDED

ITEM	QTY	PART NUMBER	DESCRIPTION	DIMENSIONS
2	1	M60471	ASSY PLATE MAGNET VMN02-0500	
1	1	S250170	COVER PLATE MAGNET SVMN020500	

Scale: 1:1	Sheet: A2	General tolerance: ISO 2768 mK
Date: 31-03-2011	Drawn according to: ISO268 ISO1101 ISO2553	
Drawn: CR	Unit: st	GOUDSMIT MAGNETIC SYSTEMS
<small>© All rights reserved. Reproduction is not permitted without written permission of GOUDSMIT Magnetic Systems BV</small>		
Description: PLATE MAGN NdFeB 204x55 L=500		Lookup: VMN02
		Artnr: SVMN020500
		Rev: B