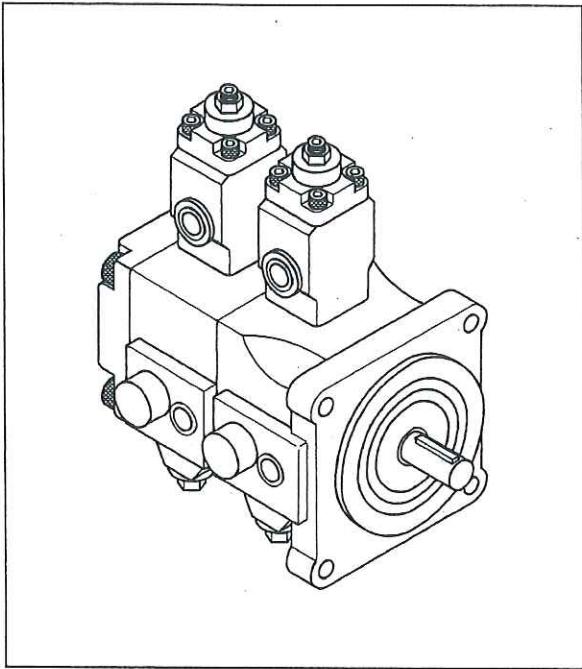


HVP-VCC1K-F**A**A VARIABLE DISPLACEMENT DOUBLE PUMP



HOW TO ORDER

HVP-VCC1K-F**A**A

Characteristics of Delivery and Pressure Range of Cover Side Pump

Characteristics of Delivery and Pressure Range of Shaft Side Pump

1 : 0.5~1.8 Mpa { 5~18 kg^f/cm² }

2 : 1.5~3.5 Mpa { 15~35 kg^f/cm² }

3 : 3.0~5.5 Mpa { 30~70 kg^f/cm² }

4 : 5.0~7.0 Mpa { 55 kg^f/cm² }

Nominal No-Load Delivery of Cover Side Pump

26, 30, 40, l/min at 1800 rpm

Nominal No-Load Delivery of Shaft Side Pump

26, 30, 40, l/min at 1800 rpm

F : Flange Type

Variable Displacement Double VCC1K Series

Hydraulic Vane Pump

SPECIFICATIONS

Please refer to Single Pump.

DIMENSIONAL DRAWINGS

