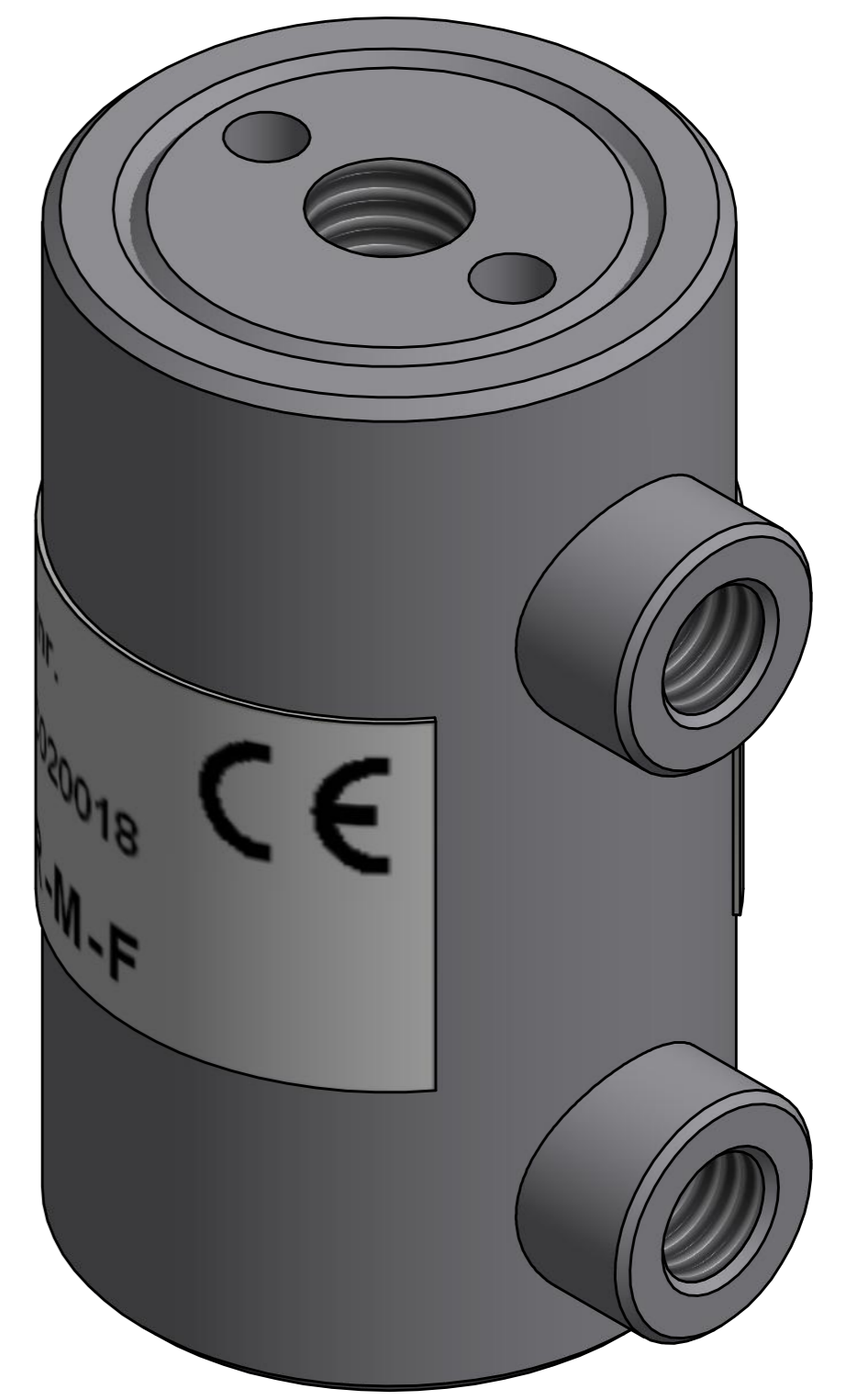
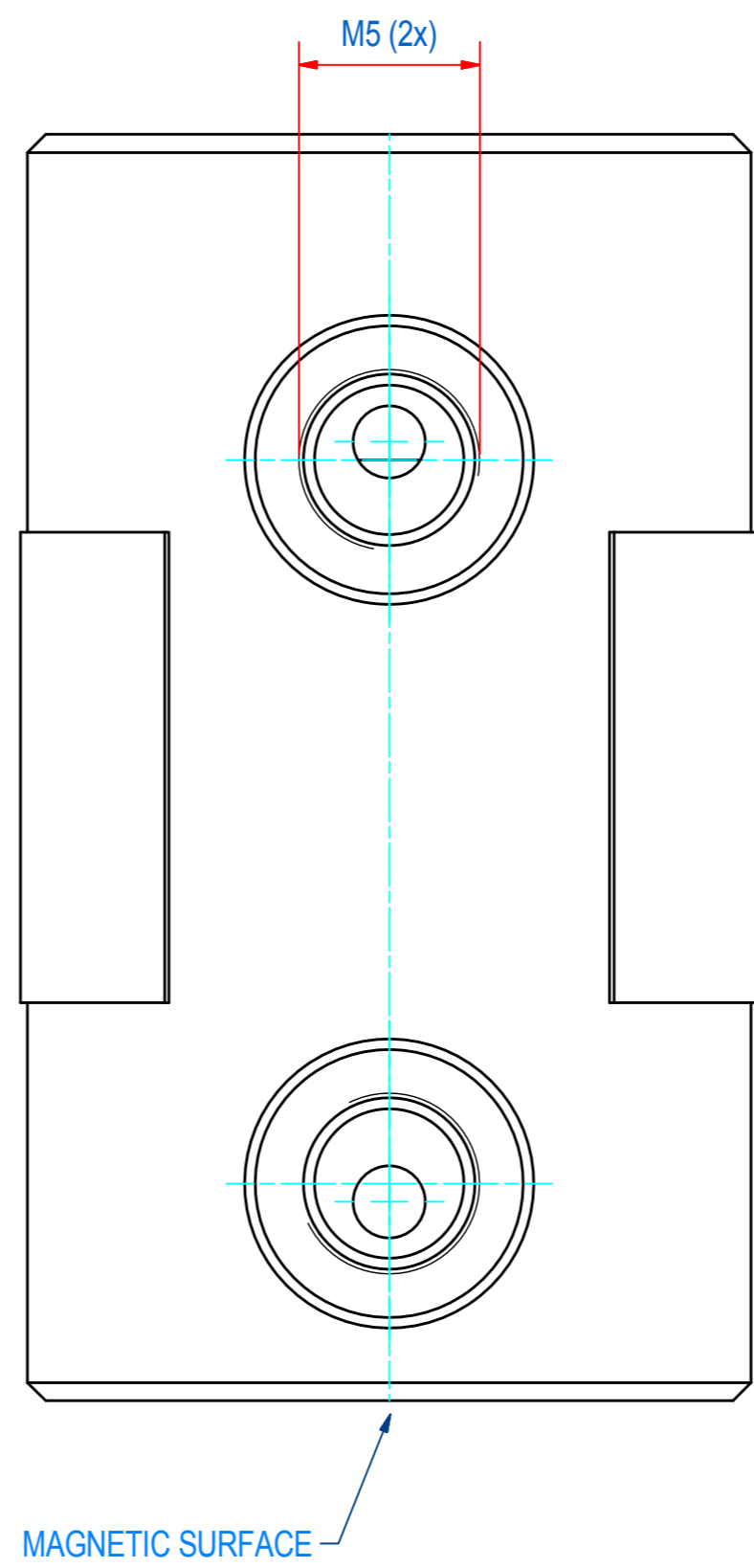
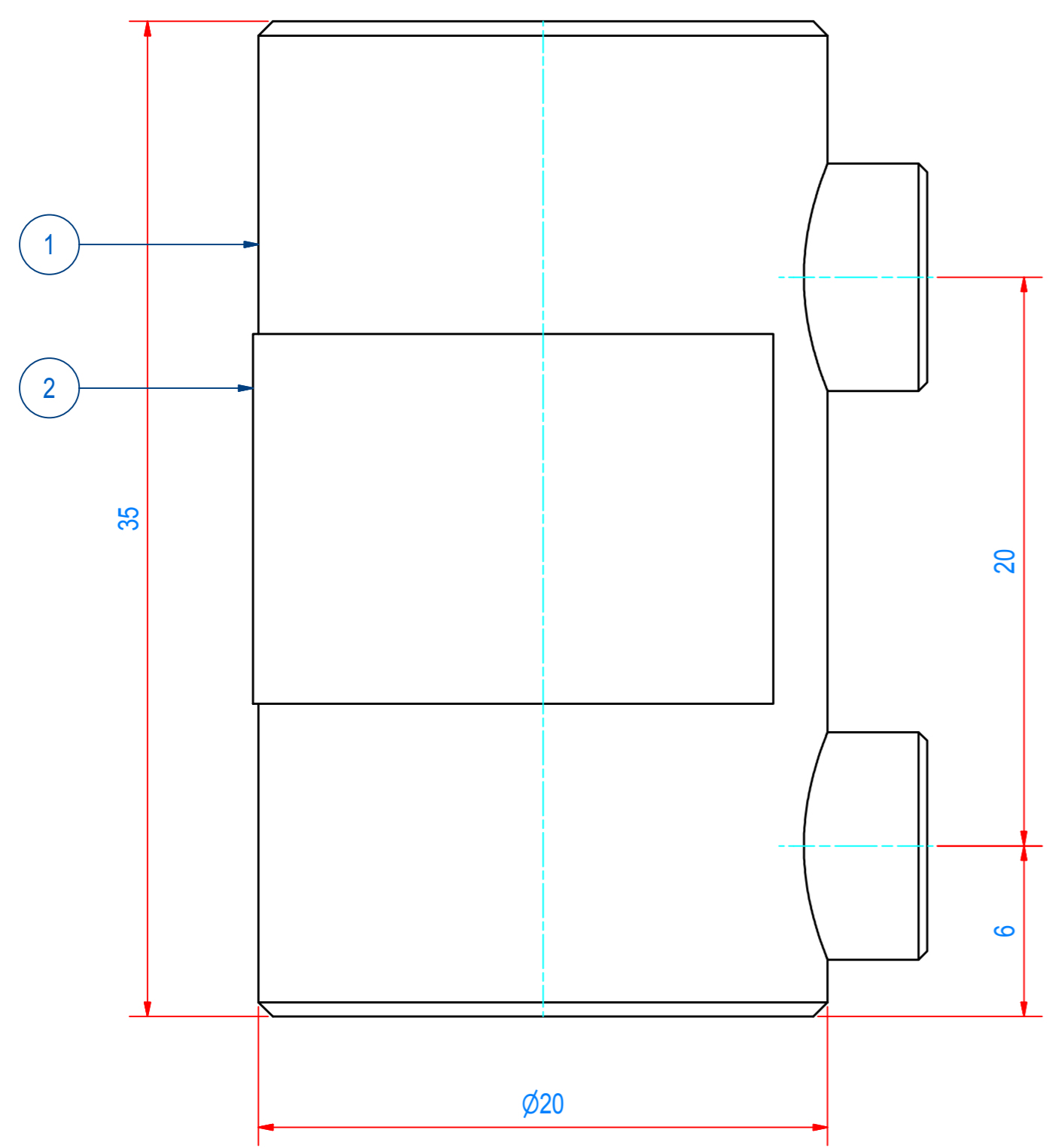
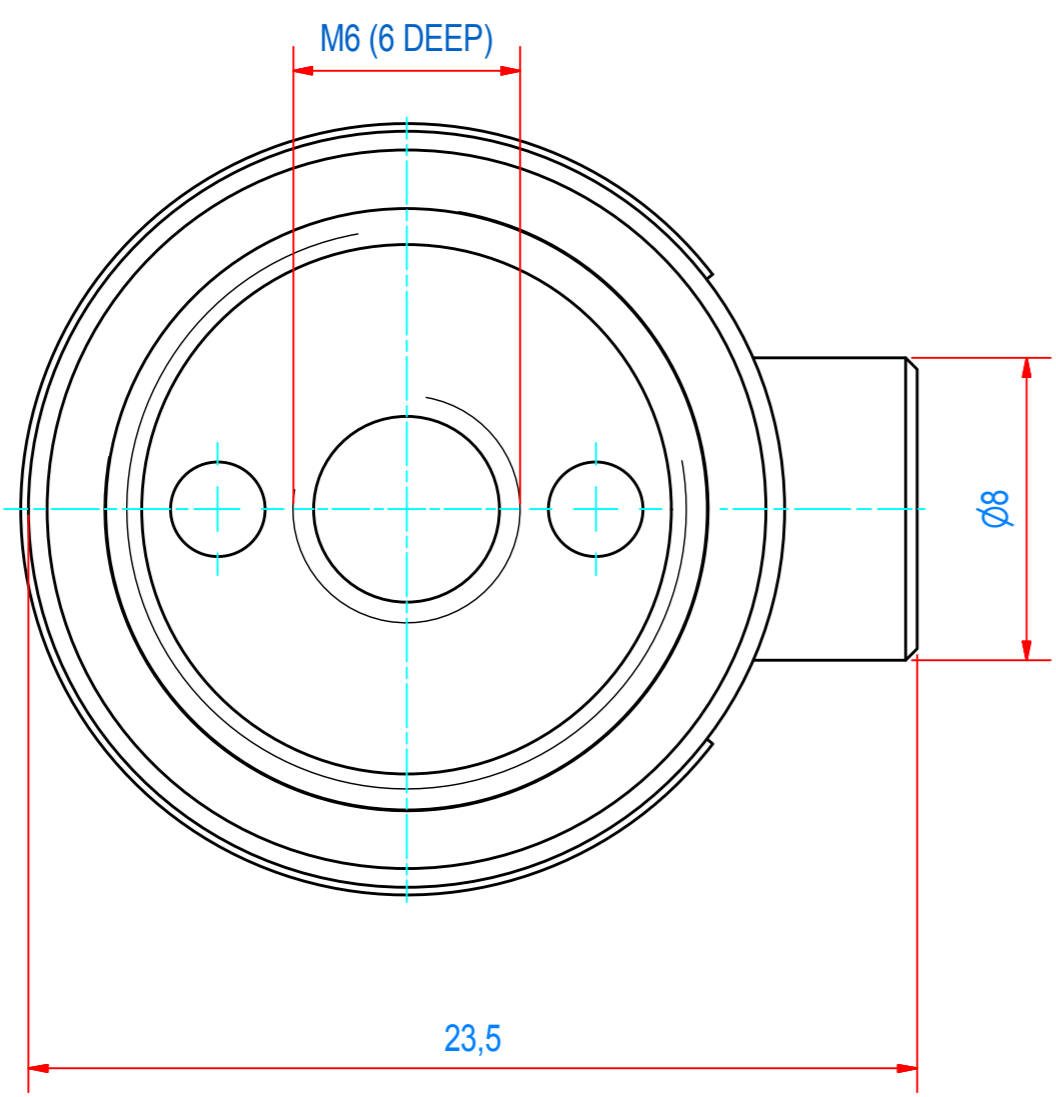


REV	DATE	BY	DESCRIPTION
-	10-4-2013	BS	NEW VAULT, NOTHING CHANGED, IS EQUAL TO OLD REVISION C



ITEM	QTY	PART NUMBER	DESCRIPTION	Dimensions
2	1	E0037918	STICKER TPGC020018	
1	1	M56335	MOUNTING ASSY TPGC020018	
RAW MAT.	1			
	QTY	MAT. NUMBER	MAT. DESCRIPTION	LENGTH (mm) WIDTH (mm)
Sheet: A2		Extra info:		General tolerance: ISO 2768- mK
Drawn: PB	Weight (kg): 0,1			Drawn according: ISO268; ISO1101; ISO2553
Date: 17-8-2005			Status: Standard	
Spare part: False			Customer reference number:	
Quick search: TPGC020			Document number: E0029312	Doc.Rev: -
Description: HGR-RO-020-FL-R-M-F			Part number: TPGC020018	Rev: -