


# Floor Locks

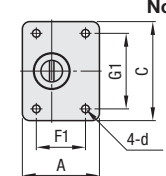
Push Force Selectable / Height Adjustable Type

Components used to temporarily stop carriages.

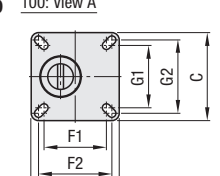
**Push Force Selectable** RoHS



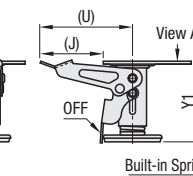
**No.65, 75**



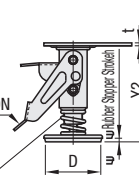
**No.100, 150**

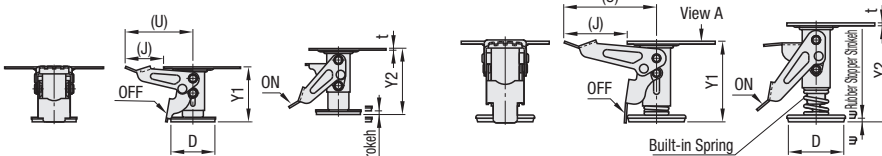


100: View A



150: View A





⚠ Select either medium or heavy gripping force by referring to the push force of Built-in Spring.

⚠ Shipped with the identification seal attached to the main body. L Rubber Stopper Stroke 1

M Material: Main Body: Low Carbon Steel Built-in Spring: Spring Steel (ASTM A228)


S Surface Treatment: Trivalent Chromate

Part Number Type	No.	Push Force Selectable	Mounting Height	Stroke		D	Mounting Plate Dimension						t	h	(U)	(J)	Push Force N	Mass (kg)	Unit Price			
				Y1(min)	Y2(max)		A	C	F1	F2	G1	G2							d	L (Medium)	H (Heavy)	
FLOCK	65	L	85	75	90	60	105	135	67	-	103	-	10.5	2.3	5	93	53	120	200	0.7	L	H
	75	L	90	80	95	60	105	135	67	-	103	-	10.5	2.3	5	93	53	120	200	0.8	L	H
	100	H	130	115	135	75	120	120	85	100	85	100	11	4	10	127	87	120	200	1.2	L	H
	150	H	160	145	165	75	120	120	85	100	85	100	11	4	10	127	87	120	200	1.3	L	H

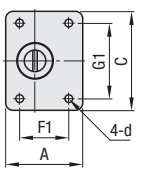
⚠ Push force will be H (heavy) when not specified.

Ordering Example: Part Number **FLOCK100** - Push Force **L** Days to Ship Configure Online

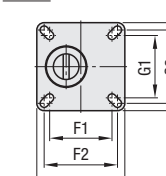
**Height-Adjustable Type** RoHS



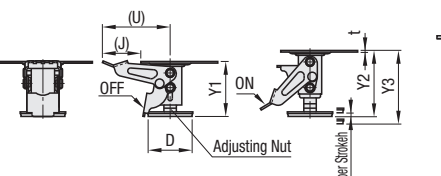
**No.65, 75**



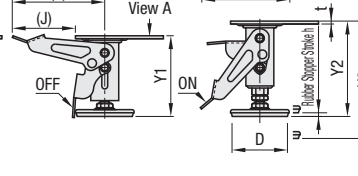
**No.100, 150**



View A



View A



⚠ Rotating adjusting nut enables adjustment of the distance from the floor by positioning pad in vertical direction.

M Material: Main Body: Low Carbon Steel Built-in Spring: Spring Steel (ASTM A228)

S Surface Treatment: Baked Finish (Main Body: Black / OFF Pedal: Yellow)

Part Number Type	No.	Mounting Height		Stroke			D	Mounting Plate Dimension						t	h	(U)	(J)	Push Force N	Mass (kg)	Unit Price			
		min	max	Released Y1(min)	Y1(max)	Locked (Adjustment Range) Y2(min)		Y3(max)	A	C	F1	F2	G1							G2	d	L (Medium)	H (Heavy)
FLOCKZ	65	85	90	75	80	90	95	60	105	135	67	-	103	-	10.5	2.3	5	93	53	200	0.7	L	H
	75	90	101	80	91	95	106	60	105	135	67	-	103	-	10.5	2.3	5	93	53	200	0.8	L	H
	100	130	140	115	125	135	145	75	120	120	85	100	85	100	11	4	10	127	87	250	1.2	L	H
	150	160	195	145	180	165	200	75	120	120	85	100	85	100	11	4	10	127	87	250	1.3	L	H

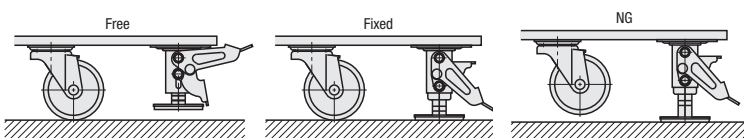
Ordering Example: Part Number **FLOCKZ75** Days to Ship Configure Online Price Configure Online


**Feature**


- For FLOCK, push force by spring tension can be selected.
- FLOCKZ has the industry's first height-adjuster, and allows mounting height adjustments within certain ranges.

**Caution**

This product alone is not designed to lift carriages and support objects. For movable loads, please refer to the allowable load of casters.








# Floor Locks / Stoppers

**RoHS**

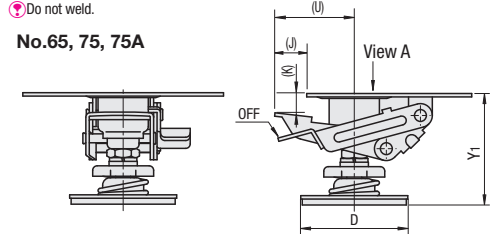


Type	Material	Surface Treatment	Built-in Spring
FLOCK	Low Carbon Steel	Trivalent Chromate	SWP-B
FLOKS	304 Stainless Steel	-	304 Stainless Steel

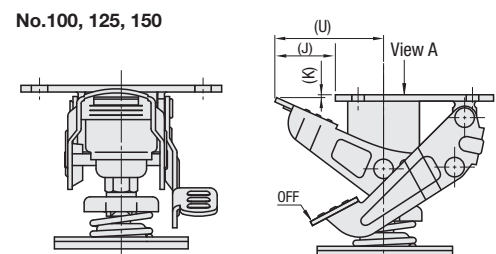
**Load**  
Regardless of the carrier's weight or load, the spring cushion built in the stopper firmly grips floor with a constant force. For movable load, please refer to the allowable load of the caster. Carriages cannot be off the ground.

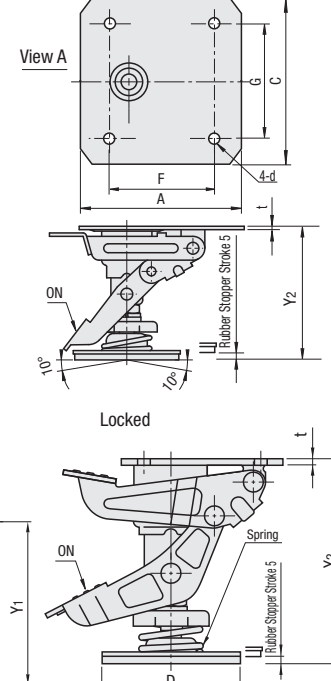
⚠ Do not weld.

**No.65, 75, 75A**



**No.100, 125, 150**






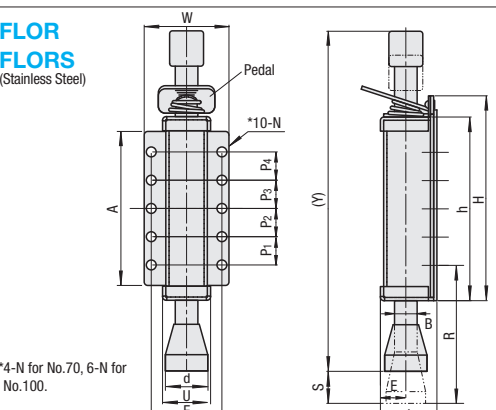
Part Number Type	No.	Mounting Height		Stroke		D	Mounting Plate Dimensions					t	(K)	(U)	(J)	Spring Constant Kg/mm		Mass (kg)	Unit Price	
		min	max	Y1(min)	Y2(max)		A	C	F	G	d					FLOCK	FLOKS		FLOCK	FLOKS
FLOKS (Stainless Steel)	65	85	90	75	90	60	105	135	67	103	10.5	2.3	22.4	45	23	1.81	1.58	1.1	L	H
	75	92(93)	97.5	82.5	97.5	60	105	135	67	103	10.5	2.3	22.4	45	23	1.81	1.58	1.2	L	H
	75A	106(*102)	111(*107)	96(*92)	111(*107)	60	105	135	67	103	10.5	2.3	22.4	45	23	1.81	1.58	1.2	L	H
	100	130	140	110	135	75	120	120	85	100	85	100	11	4	10	127	87	1.2	L	H
	125	165	170	145	170	75	120	120	85	100	85	100	11	4	10	127	87	1.4	L	H
150	190	195	170	195	90	150	150	110	110	11	4.5	2.4	73	41	3.09	2.73	1.5	L	H	

(\*) The dimensions of FLOKS75A are indicated in ( ). (\*) is dimension for FLOKS.

**Floor Locks** RoHS



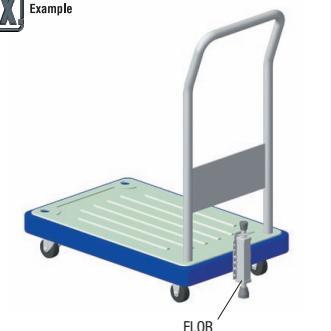
**FLOR FLOKS** (Stainless Steel)



\*4-N for No.70, 6-N for No.100.

Type	Material	Surface Treatment	Built-in Spring	Pad
FLOR	Low Carbon Steel	Trivalent Chromate	SWP-B	EPDM Synthetic Rubber
FLOKS	304 Stainless Steel	-	SWP-B	Electrically Conductive Rubber

**ex** Example



FLOR

- Pushing the upper pad down to floor activates instant-locking.
- Stepping on the pedal unlocks to allow stroke adjustments.
- In "unlocked" state, mount it with 25-30mm of space between the floor and the lower pad.
- Choose any one of mounting holes to be firmly fixed in place with bolts, etc.

Part Number Type	No.	Stroke (S)	(Y)	H	h	W	A	R	Mounting Dimensions					B	d	U	J	E	Spring Constant N/mm (Kg/mm)	Pedal Stepping Allowable Load N		Mass (g)	Unit Price		
									P1	P2	P3	P4	F							N	FLOR		FLOKS	FLOR	FLOKS
FLOR FLOKS	70	30	160	85	70	40	60	68	45	-	-	30	5.5	10	20	24	34	15	6.91(0.704)	60	110	270	L	H	
	100	30	210	115	100	60	80	85	35	35	-	-	50	7	16	30	34	40	18	6.91(0.704)	60	110	620	L	H
	130	34	240	145	130	60	110	97	20	20	20	20	50	7	16	30	34	40	18	6.91(0.704)	60	110	770	L	H

Ordering Example: Part Number **FLOK125** Days to Ship Configure Online Price Configure Online

2-1035

2-1036