

Diaphragm seal threepart 7210

Male thread or flange connection, PN 40 (optional PN 100)

The diaphragm seal consists of three parts, this allows a combination of different materials and a selection of various process connections (male thread or flange connections), so that a wide range of application is given. The membrane is welded to the upper part.

Pressure gauges Type MRE can be attached.

Instrument connection

Orifice d8 for welding to the pressure gauge Type MRE with process connection d8 x5. Leakage can not occur at the welded connection of pressure gauge / upper part and the filling port which ist not accessible externally. The parts can be cleaned externally.

Diaphragm

Diaphragm membrane 1.4435 (316L stainless steel) welded with the upper part, He-leak detection up to 10⁻⁹ mbar l/s effective diaphragm diameter dM= 60 mm (2.36").

Lower part with process connection

316L (stainless steel), connection male thread G 1/2 B (1/2" BSP) material- and connection-options.

Temperature range

Working temperature tA 20°C (please specify deviation)

Cleaning temperature tRmax 100°C (please specify higher temperature).

Attachment flange and screws with nuts

Made of galvanised steel, 6 screws and nuts M8;

optional PN 100, 12 screws and nuts M8

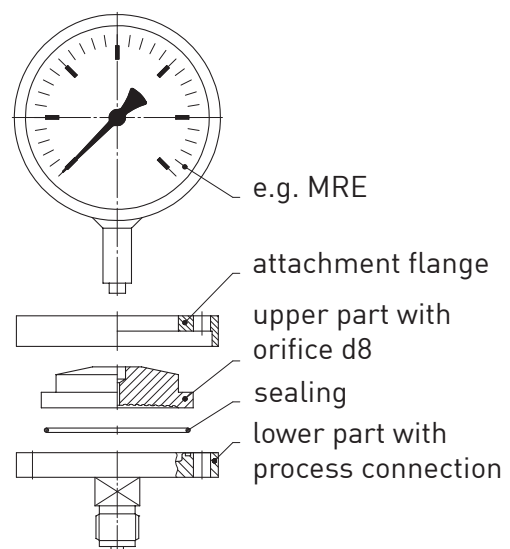
tK-value (mbar/10K)

(temperature coefficient of the chemical seal)

0.13 mbar / 10K (for silicone oil FA1)

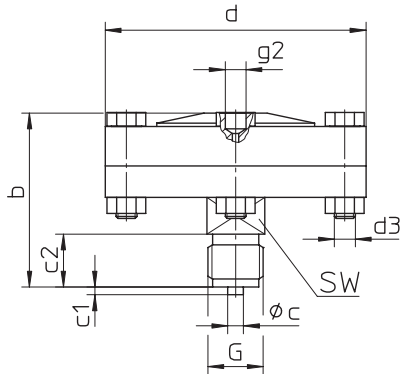
Special versions

- Other instrument connections upon request, whereas we do not recommend NPT-female thread
- Other material combinations (process connection, membrane)

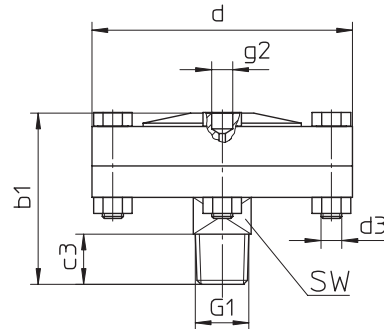


Male thread connections

G $\frac{1}{2}$ " B (1/2" BSP)



1/2" NPT



Dimensions

PN		b ±2	b1 ±2	c	c1	c2	c3	d	d3	dM	g2	G	G1	SW
40	[mm]	66	65	6	3	20	19	99	6 x 8M	60	Ø 8 x 6	G $\frac{1}{2}$ " B	1/2" NPT	22
	[inch]	2.6	2.56	0.24	0.12	0.79	0.75	3.9		2.36	Ø 8 x 0.24	1/2" BSP		
100	[mm]	66	65	6	3	20	19	99	12 x 8M	60	Ø 8 x 6	G $\frac{1}{2}$ " B	1/2" NPT	22
	[inch]	2.6	2.56	0.24	0.12	0.79	0.75	3.9		2.36	Ø 8 x 0.24	1/2" BSP		

Weight

PN		vd8
40	[kg]	1.58
	[lbs.]	3.48
100	[kg]	1.70
	[lbs.]	3.75

